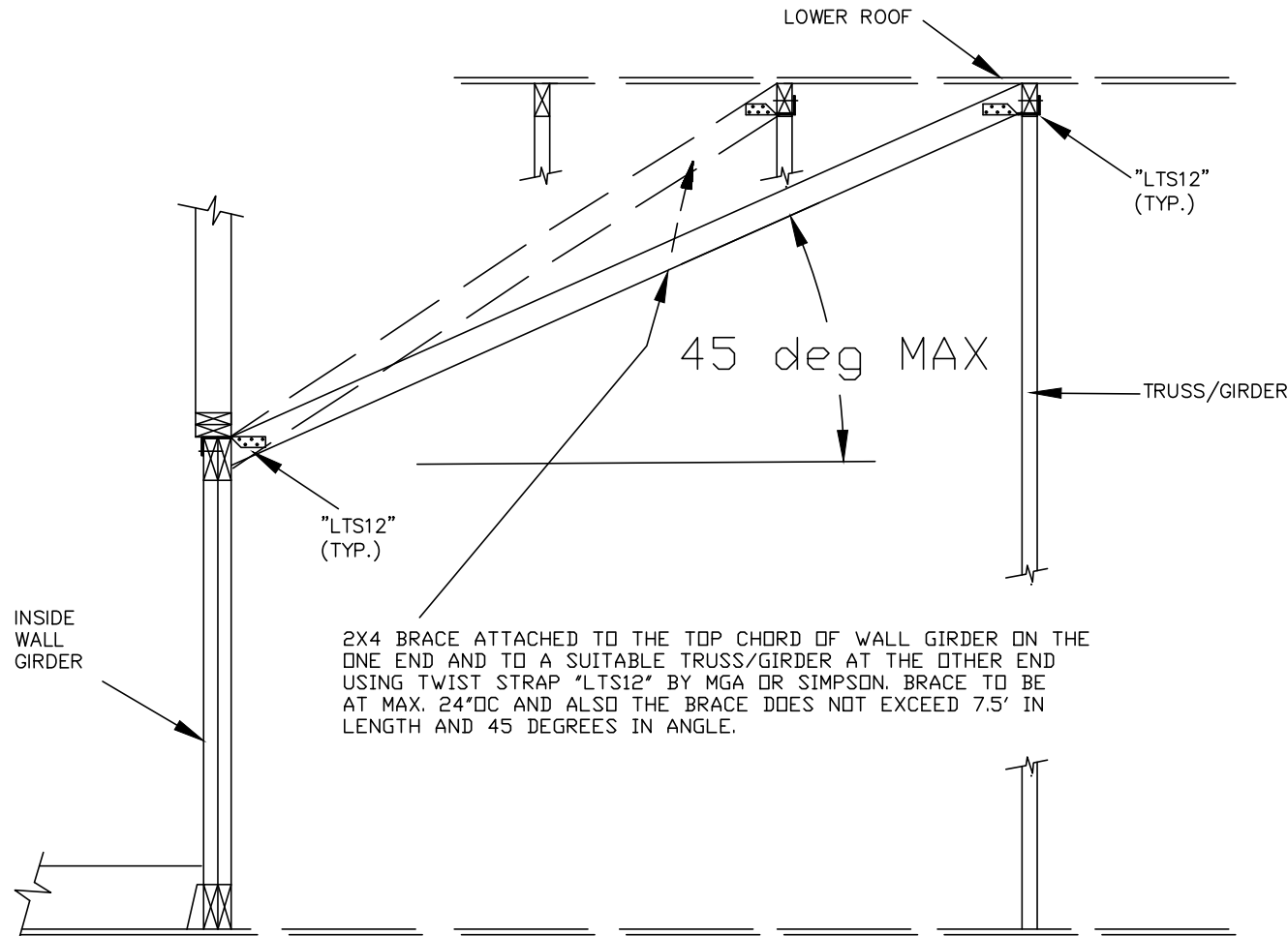


wg101 Wall Girder Top Chord Bracing

rev - Nov 2021
by - MB



Markham, ON / Coquitlam, BC / Gatineau, QC



2X4 BRACE ATTACHED TO THE TOP CHORD OF WALL GIRDER ON THE ONE END AND TO A SUITABLE TRUSS/GIRDER AT THE OTHER END USING TWIST STRAP "LTS12" BY MGA OR SIMPSON. BRACE TO BE AT MAX. 24"OC AND ALSO THE BRACE DOES NOT EXCEED 7.5' IN LENGTH AND 45 DEGREES IN ANGLE.

www.alpineitw.com

CCMC #12182-L, 12802-L, 13124-L

*****WARNING***** TRUSSES REQUIRE EXTREME CARE IN FABRICATING, HANDLING, SHIPPING, INSTALLING AND BRACING. REFER TO BCSI-BIC (HANDLING, INSTALLING, RESTRAINING AND BRACING), JOINTLY PRODUCED BY TPIC, TPI AND SBGA, AND AVAILABLE AT WWW.SBGINDUSTRY.COM/BCSI-CANADA FOR BEST PRACTICES PRIOR TO PERFORMING THESE FUNCTIONS. UNLESS OTHERWISE INDICATED, TOP CHORD SHALL HAVE PROPERLY ATTACHED STRUCTURAL PANELS AND BOTTOM CHORD SHALL HAVE A PROPERLY ATTACHED RIGID CEILING. *****IMPORTANT***** FURNISH A COPY OF THIS DESIGN TO THE INSTALLATION CONTRACTOR. ALPINE SYSTEMS CORPORATION SHALL NOT BE RESPONSIBLE FOR ANY DEVIATION FROM THIS DESIGN. ANY FAILURE TO BUILD THE TRUSSES IN CONFORMANCE WITH TPIC OR FABRICATING, HANDLING, SHIPPING, INSTALLING AND BRACING OF TRUSSES. DESIGN CONFORMS WITH APPLICABLE PROVISIONS OF CSA (OR CANADIAN STANDARDS ASSOCIATION), NBCC, AND TPIC. ALPINE CONNECTORS ARE MADE OF 6061 ALUMINUM GRADE GALV. STEEL EXCEPT AS NOTED. APPLY CONNECTORS TO EACH FACE OF TRUSS AND UNLESS OTHERWISE LOCATED ON THIS DESIGN, POSITION CONNECTORS PER DRAWINGS 160 A-Z. THE SEAL ON THIS DRAWING INDICATES ACCEPTANCE OF PROFESSIONAL ENGINEERING RESPONSIBILITY SOLELY FOR THE TRUSS COMPONENT DESIGN SHOWN. THE SUITABILITY AND USE OF THIS COMPONENT FOR ANY SPECIFIC BUILDING IS THE RESPONSIBILITY OF THE BUILDING DESIGNER, PER APPLICABLE TPIC DESIGN STANDARD.