

Scabbed Piggyback Detail

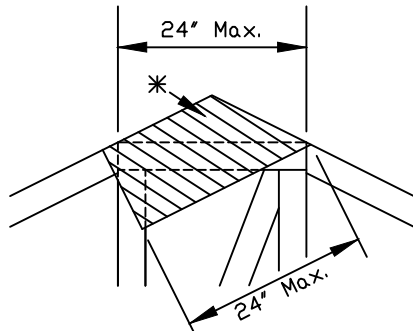
Note: Top chords of trusses supporting piggyback cap trusses must be adequately braced by sheathing or purlins. The building Engineer of Record shall provide diagonal bracing or any other suitable anchorage to permanently restrain purlins, and lateral bracing for out of plane loads over gable ends.

Refer to Engineer's sealed truss design drawing for piggyback and base truss specifications.

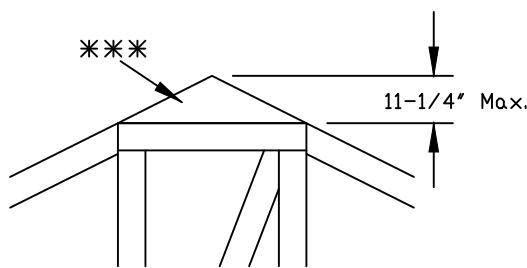
Maximum truss spacing is 24' o.c. Detail is not applicable if cap supports additional loads such as cupola, steeple, chimney or drag strut loads.

- * 2x4, 2x6, 2x8, 2x10 or 2x12, #2 or #2 PT, SPF, Hem-Fir, or SP as needed. Attach scab to one face of truss with 16d (0.162"x3.5") common nails or 0.128"x3" gun nails @ 3' o.c. throughout top chord.
- ** Piggyback as per ITWBCG drawing. Attach to top chord of supporting truss using either the attachment specified on ITWBCG drawing or with gun nails (0.131"x3" gun nails) at:
 - 8' o.c. for ASCE 7-10, 160 mph, Enc. Bldg, Exp B & C, 30' MH
 - 6' o.c. for ASCE 7-10, 180 mph, Part. Enc. Bldg, Exp B, 30' MH
 - 6' o.c. for ASCE 7-10, 180 mph, Enc. Bldg, Exp C, 30' MH
 - 4' o.c. for ASCE 7-10, 180 mph, Part. Enc. Bldg, Exp C, 30' MH
- *** Toenail block to top chord with 0.128"x3" gun nails @ 4' oc from each face throughout top chord.

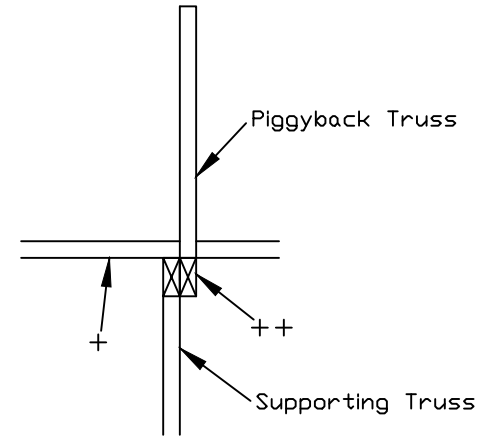
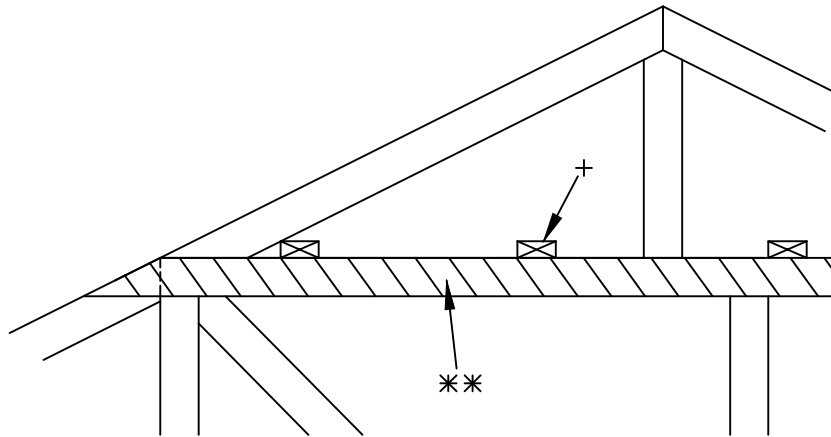
- ++ Detail valid only for full overlap of piggyback chord as shown.
- + Continuous Lateral Bracing (CLB) as specified on the supporting truss ITWBCG drawing or at 24' o.c. if not specified. Attach to each supporting truss with (2) 16d (0.162"x3.5") common nails. Bracing material to be supplied and attached at both ends to a suitable support by erection contractor.
- + CLB lumber: 2x4 or 2x6 #2 or #2 PT, SPF, Hem-Fir, or SP. CLB may be applied to top edge of supporting truss top chord (as shown) or bottom edge of supporting truss top chord.



Scab Detail



Top Chord Block Detail



155 Harlem Ave
North Building, 4th Floor
Glenview, IL 60025

*****WARNING*** READ AND FOLLOW ALL NOTES ON THIS DRAWING**
*****IMPORTANT*** FURNISH THIS DRAWING TO ALL CONTRACTORS INCLUDING THE INSTALLERS.**

Trusses require extreme care in fabricating, handling, shipping, installing and bracing. Refer to and follow the latest edition of BCSI (Building Component Safety Information, by TPI and SBCA) for safety practices prior to performing these functions. Installers shall provide temporary bracing per BCSI. Unless noted otherwise, top chord shall have properly attached structural sheathing and bottom chord shall have a properly attached rigid ceiling. Locations shown for permanent lateral restraint of webs of truss and position as shown above and on the Joint Details, unless noted otherwise. Refer to drawings 160A-Z for standard plate positions.

Alpine, a division of ITW Building Components Group Inc. shall not be responsible for any deviation from this drawing, any failure to build the truss in conformance with ANSI/TPI 1, or for handling, shipping, installation & bracing of trusses.

A seal on this drawing or cover page listing this drawing, indicates acceptance of professional engineering responsibility solely for the design shown. The suitability and use of this drawing for any structure is the responsibility of the Building Designer per ANSI/TPI 1 Sec.2.

For more information see this Job's general notes page and these web sites:
 ALPINE: www.alpineitw.com TPI: www.tpinst.org SBCA: www.sbcacomponents.com ICC: www.iccsafe.org

MAX. TOT. LD. 55 PSF
 DUR. FAC. 1.25
 SPACING 24.0"

REF	PIGGYBACK SCAB
DATE	10/01/14
DRWG	PBSCAB101014
MAX. TOT. LD.	55 PSF
DUR. FAC.	1.25
SPACING	24.0"

REF	PIGGYBACK SCAB
DATE	10/01/14
DRWG	PBSCAB101014