

ASCE 7-05: EXPOSURE C COMMON RESIDENTIAL GABLE END WIND BRACING REQUIREMENTS - STIFFENERS

100 MPH, 30FT. MEAN HGT, ASCE 7-05, CLOSED BLDG, LOCATED ANYWHERE IN ROOF, CAT II, EXP C, $K_z t = 1.00$, WIND TC DL=5.0 PSF, WIND BC DL=5.0 PSF.

LATERAL CHORD BRACING REQUIREMENTS
TOP: CONTINUOUS ROOF SHEATHING
BOT: CONTINUOUS CEILING DIAPHRAGM

SEE ENGINEER'S SEALED DESIGN REFERENCING THIS DETAIL FOR LUMBER, PLATES, AND OTHER INFORMATION NOT SHOWN ON THIS DETAIL.

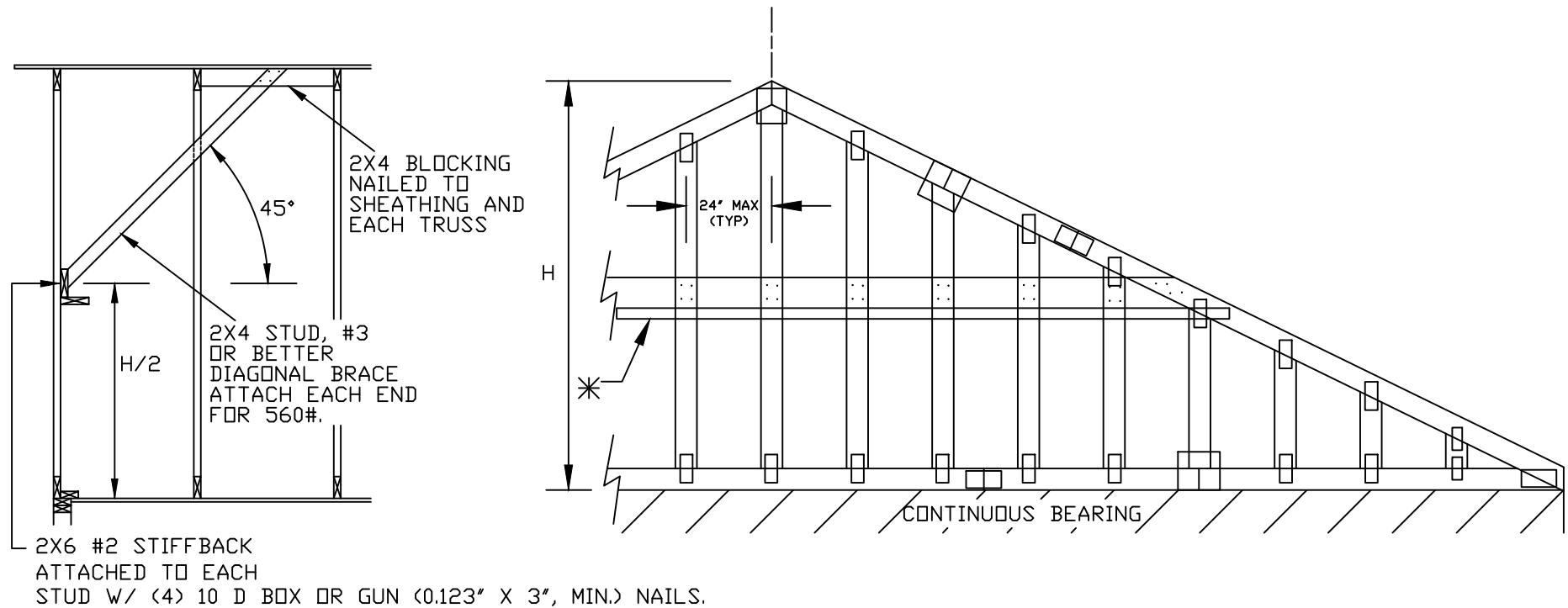
NAILS: 10d COMMON (0.148"x3") OR BOX (0.128"x3",MIN) NAILS OR GUN (0.125" X 3",min) NAILS.

H LESS THAN 4'6" - NO STUD BRACING REQUIRED

H GREATER THAN 4'6" TO 7'6" IN LENGTH
PROVIDE A 2X6 STIFFBACK AT MID-HEIGHT AND BRACE STIFFBACK TO ROOF DIAPHRAGM EVERY 6'0" (SEE DETAIL BELOW OR REFER TO DRAWING A1003005).

H GREATER THAN 7'6" TO 12'0" MAX:
PROVIDE A 2X6 STIFFBACK AT MID-HEIGHT AND BRACE TO ROOF DIAPHRAGM EVERY 4'0" (SEE DETAIL BELOW OR REFER TO DRWG A1003005).

* OPTIONAL 2X L-REINFORCEMENT ATTACHED TO STIFFBACK WITH 10D BOX OR GUN (0.128" X 3", MIN.) NAILS @ 6" O.C.



WARNING: READ AND FOLLOW ALL NOTES ON THIS DRAWING! FURNISH THIS DRAWING TO ALL CONTRACTORS INCLUDING THE INSTALLERS.

Trusses require extreme care in fabricating, handling, shipping, installing and bracing. Refer to and follow the latest edition of BCSI (Building Component Safety Information, by TPI and SBCA) for safety practices prior to performing these functions. Installers shall provide temporary bracing per BCSI. Unless noted otherwise, top chord shall have properly attached structural sheathing and bottom chord shall have a properly attached rigid ceiling. Locations shown for permanent lateral restraint of webs shall have bracing installed per BCSI sections B3, B7 or B10, as applicable. Apply plates to each face of truss and position as shown above and on the Joint Details, unless noted otherwise. Refer to drawings 150A-Z for standard plate positions.

Alpine, a division of ITW Building Components Group Inc. shall not be responsible for any deviation from this drawing, any failure to build the truss in conformance with ANSI/TPI 1, or for handling, shipping, installation & bracing of trusses.

A seal on this drawing or cover page listing this drawing, indicates acceptance of professional engineering responsibility solely for the design shown. The suitability and use of this drawing for any structure is the responsibility of the Building Designer per ANSI/TPI 1 Sec.2.

For more information see this Job's general notes page and these web sites:
ALPINE: www.alpineitw.com; TPI: www.tpinet.org; SBCA: www.sbcacomponents.com; ICC: www.iccsafe.org

TC LL	PSF	REF	GE WHALER
TC DL	PSF	DATE	10/01/14
BC DL	PSF	DRWG	GABRST051014
BC LL	PSF		
TOT. LD.	PSF		
DUR. FAC.			
MAX SPACING	24"		

TC LL	PSF	REF	GE WHALER
TC DL	PSF	DATE	10/01/14
BC DL	PSF	DRWG	GABRST051014
BC LL	PSF		
TOT. LD.	PSF		
DUR. FAC.			
MAX SPACING	24"		