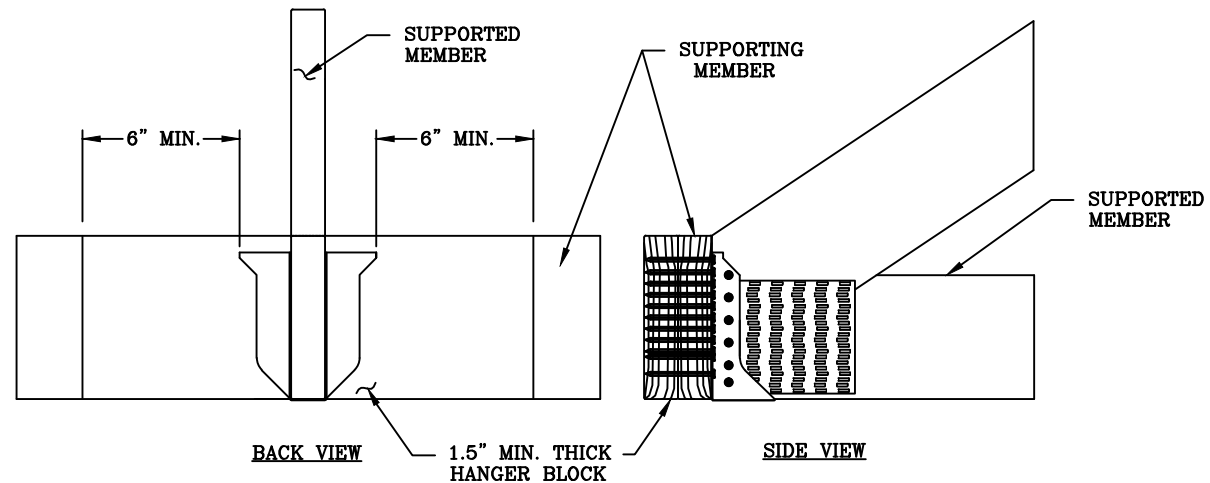
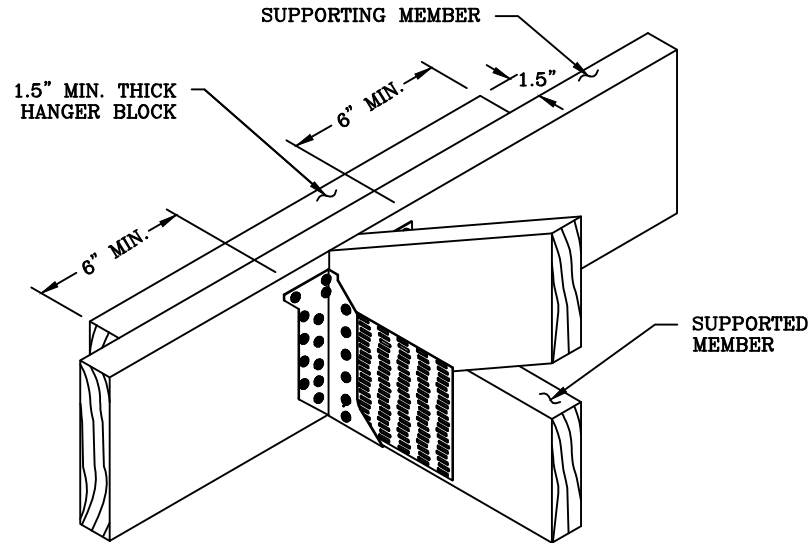


HANGER BLOCK DETAILS

1.5" MIN. THICK HANGER BLOCK, OF SAME DEPTH AND SPECIES OF SUPPORTING MEMBER.

BLOCK SHALL EXTEND 6" MIN. FROM OUTSIDE EDGE OF EACH FLANGE OF HANGER AS SHOWN.

APPLY HANGER BLOCK TO SINGLE PLY SUPPORTING MEMBER. OPPOSITE OF THE LOAD FACE.



155 Harlem Ave
North Building, 4th Floor
Glenview, IL 60025

WARNING READ AND FOLLOW ALL NOTES ON THIS DRAWING
IMPORTANT FURNISH THIS DRAWING TO ALL CONTRACTORS INCLUDING THE INSTALLERS.

Trusses require extreme care in fabricating, handling, shipping, installing and bracing. Refer to and follow the latest edition of BCSI (Building Component Safety Information, by TPI and SBCE) for safety practices prior to performing these functions. Installers shall provide temporary bracing per BCSI. Unless noted otherwise, top chord shall have properly attached structural sheathing and bottom chord shall have a properly attached rigid ceiling. Locations shown for permanent lateral restraint of webs of truss and position as shown above and on the Joint Details, unless noted otherwise. Refer to drawings 150A-Z for standard plate positions.

Alpine, a division of ITW Building Components Group Inc. shall not be responsible for any deviation from this drawing, any failure to build the truss in conformance with ANSI/TPI 1, or for handling, shipping, installation & bracing of trusses.

A seal on this drawing or cover page listing this drawing, indicates acceptance of professional engineering responsibility solely for the design shown. The suitability and use of this drawing for any structure is the responsibility of the Building Designer per ANSI/TPI 1 Sec.2.

For more information see this job's general notes page and these web sites:
ALPINE: www.alpineitw.com; TPI: www.tpinst.org; SBCE: www.sbcecomponents.com; ICC: www.iccsafe.org

TC LL	PSF	REF	HANGER BLOCK
TC DL	PSF	DATE	10/01/14
BC DL	PSF	DRWG	CHHGRBLK1014
BC LL	PSF	-ENG	
TOT. LD.	PSF		
DUR. FAC.			
SPACING			