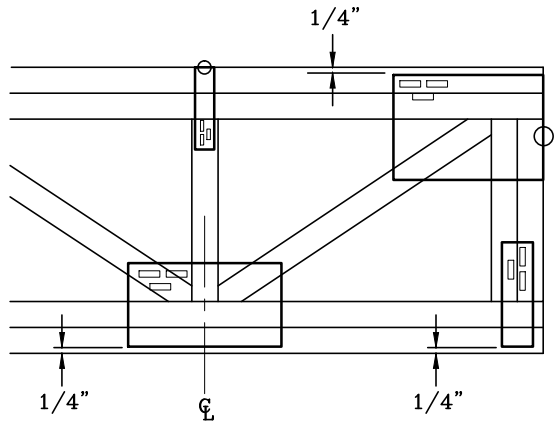
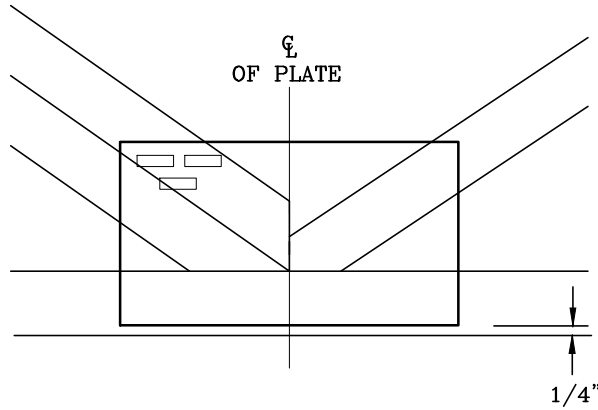


SYSTEM 32 AND 42 PLATE LOCATION DETAILS

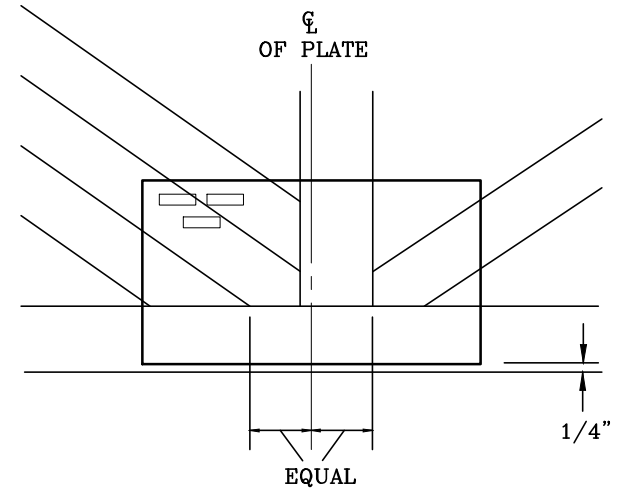
STACKED CHORDS



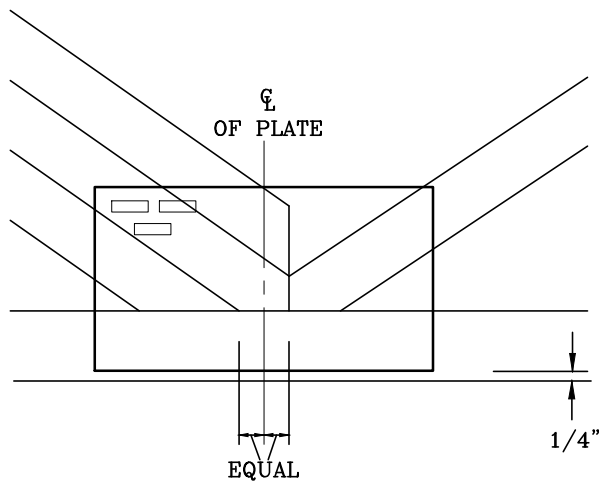
STACKED WEBS



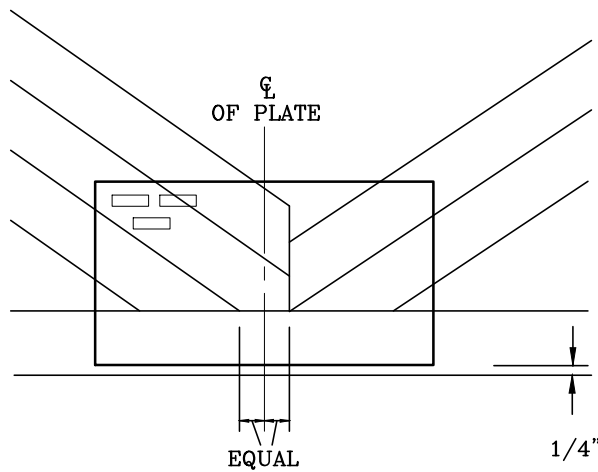
STACKED WEBS



STACKED WEBS



STACKED WEBS



NOTES:
 NO WANE OR LOOSE KNOTS SHALL OCCUR IN PLATE CONTACT AREAS.
 ALL PLATE POSITIONS SHOWN ARE ALSO APPLICABLE IF WEBS ARE SQUARE CUT.
 ○ LOCATES PLATE CORNER OR FLUSH EDGE.



155 Harlem Ave
 North Building, 4th Floor
 Glenview, IL 60025

SYSTEM 32 AND 42

160
Z

PAGE 3 OF 3

DATE 2/11/2019