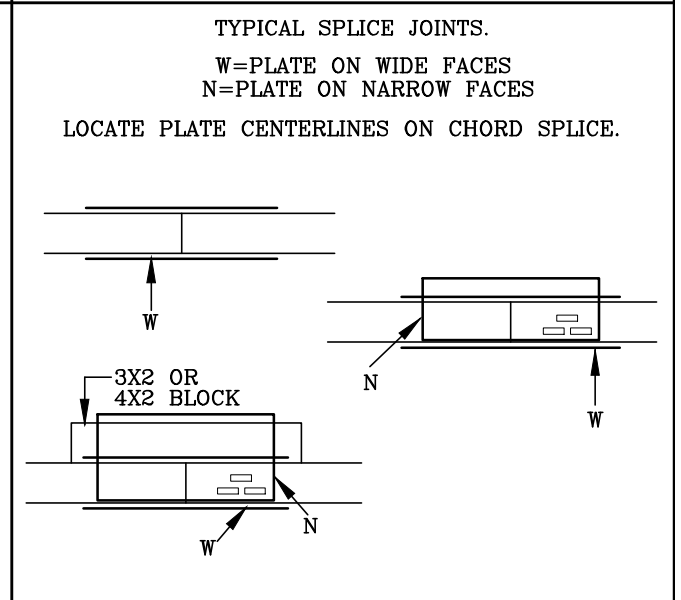
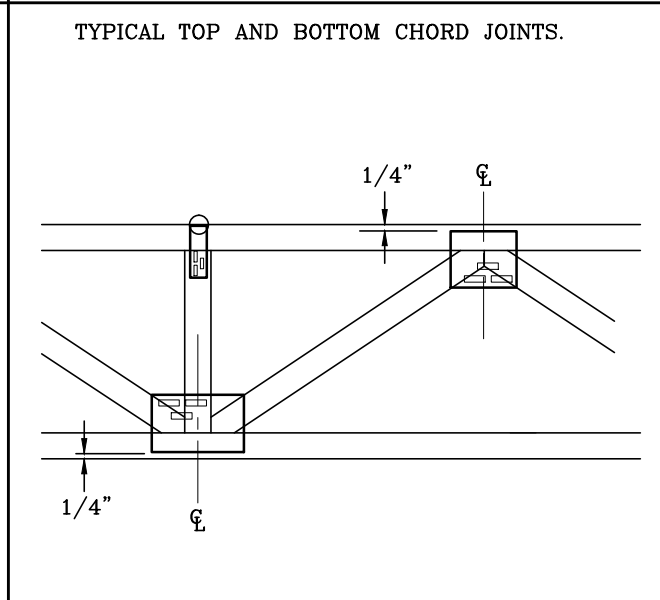
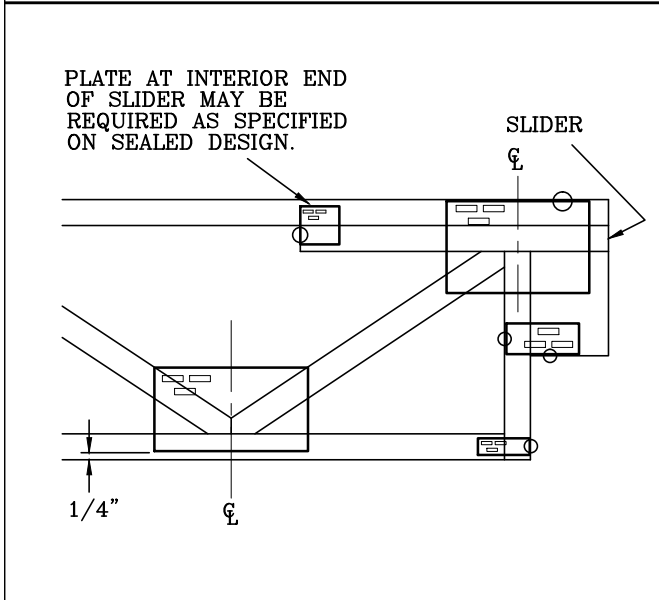
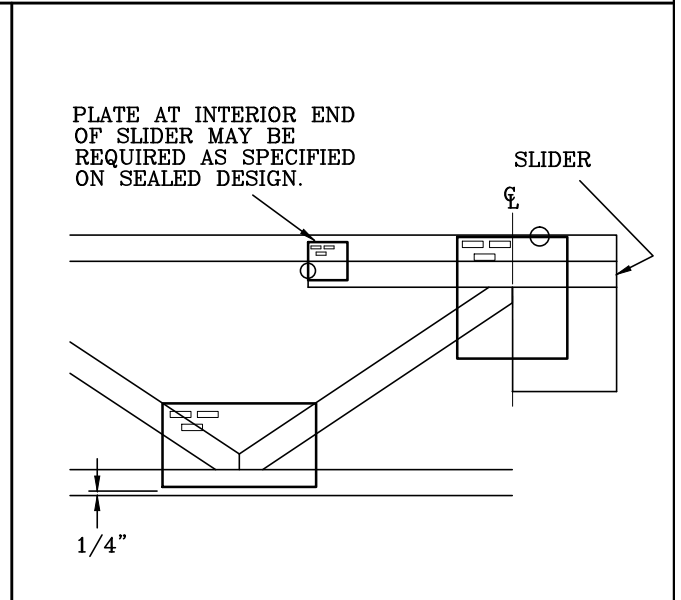
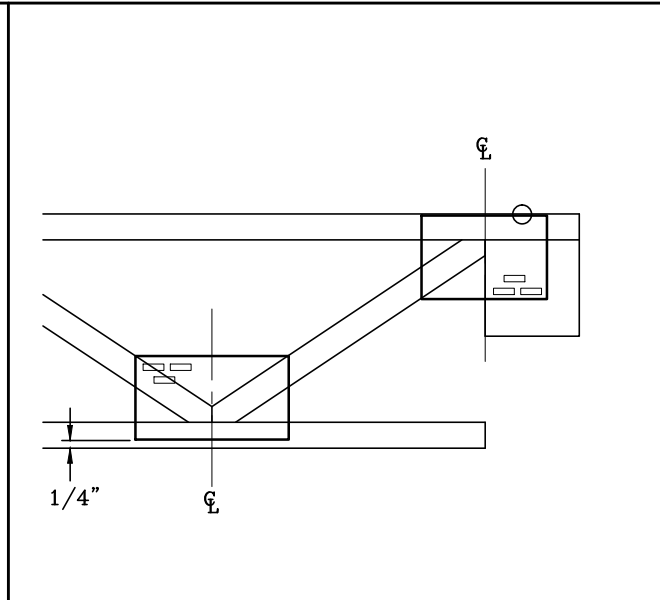
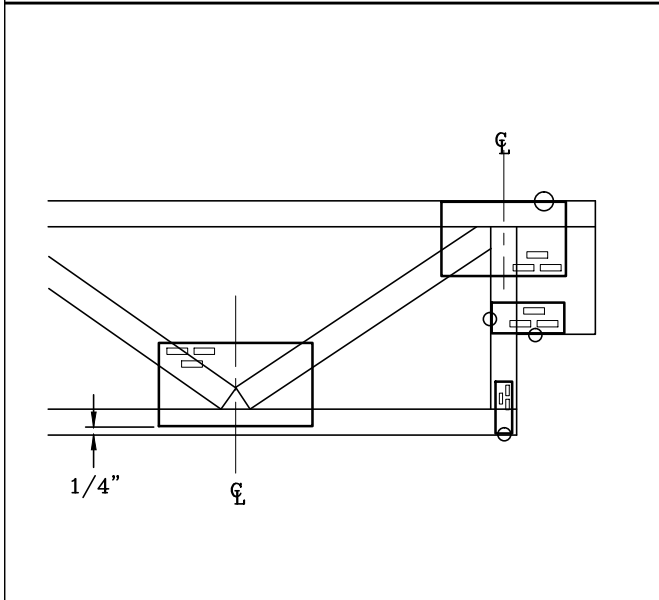


SYSTEM 32 AND 42 PLATE LOCATION DETAILS



NOTES:
 NO WANE OR LOOSE KNOTS SHALL OCCUR IN PLATE CONTACT AREAS.
 ALL PLATE POSITIONS SHOWN ARE ALSO APPLICABLE IF WEBS ARE SQUARE CUT AND/OR A VERTICAL WEB IS LOCATED BETWEEN THE DIAGONAL WEBS (MODIFIED WARREN).
 ○ LOCATES PLATE CORNER OR FLUSH EDGE.

160
Z

SYSTEM 32 AND 42

SYSTEM 32 AND 42

160
Z

PAGE 2 OF 3

DATE 10/01/14