

SYSTEM 32 AND 42 PLATE LOCATION DETAILS

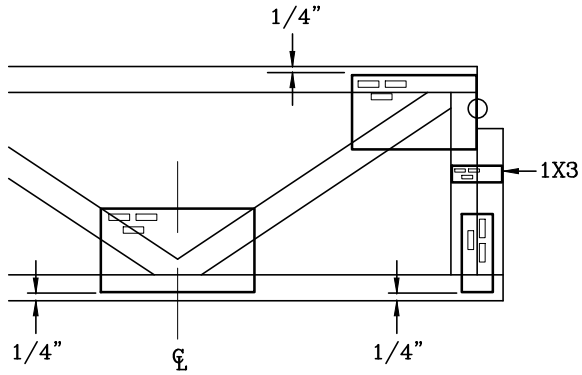


PLATE AT INTERIOR END OF SLIDER MAY BE REQUIRED AS SPECIFIED ON SEALED DESIGN.

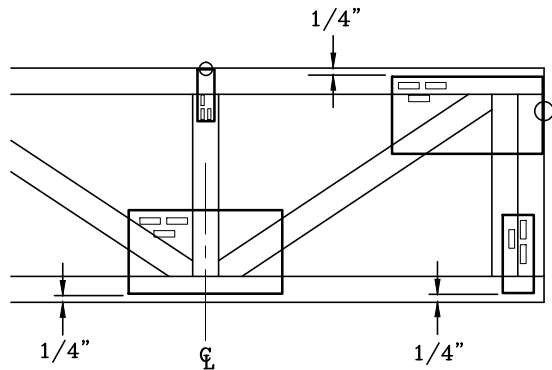
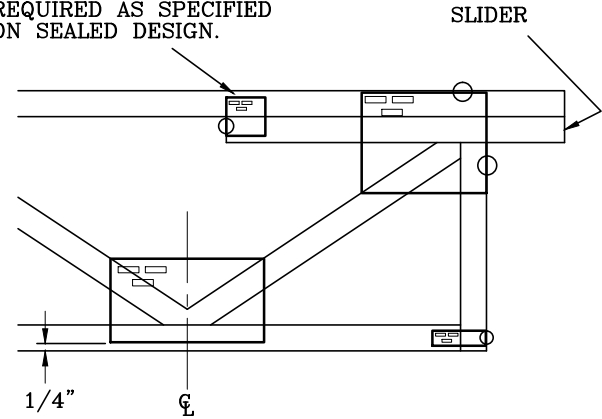
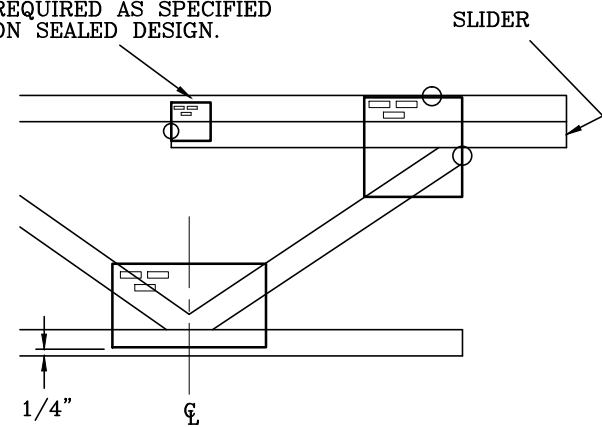


PLATE AT INTERIOR END OF SLIDER MAY BE REQUIRED AS SPECIFIED ON SEALED DESIGN.



155 Harlem Ave
North Building, 4th Floor
Glenview, IL 60025

NOTES:
NO WANE OR LOOSE KNOTS SHALL OCCUR IN PLATE CONTACT AREAS.
ALL PLATE POSITIONS SHOWN ARE ALSO APPLICABLE IF WEBS ARE SQUARE CUT AND/OR A VERTICAL WEB IS LOCATED BETWEEN THE DIAGONAL WEBS (MODIFIED WARREN).
○ LOCATES PLATE CORNER OR FLUSH EDGE.

SYSTEM 32 AND 42

160
Z

PAGE 1 OF 3

DATE 2/11/2019