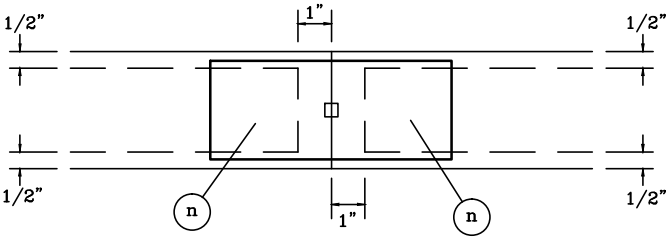


# TRULOX INFORMATION DETAIL

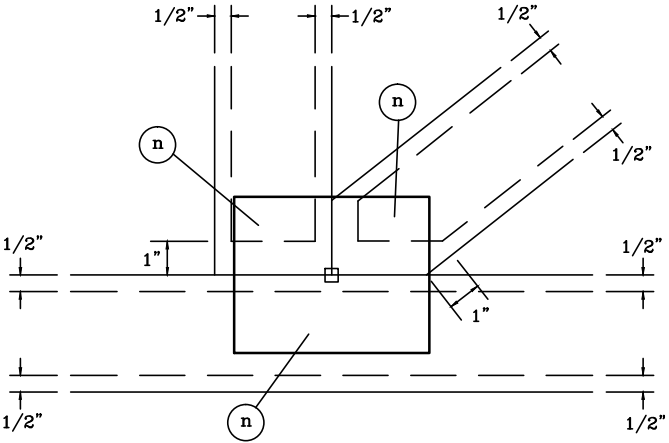
TYPICAL OFF PANEL SPLICE



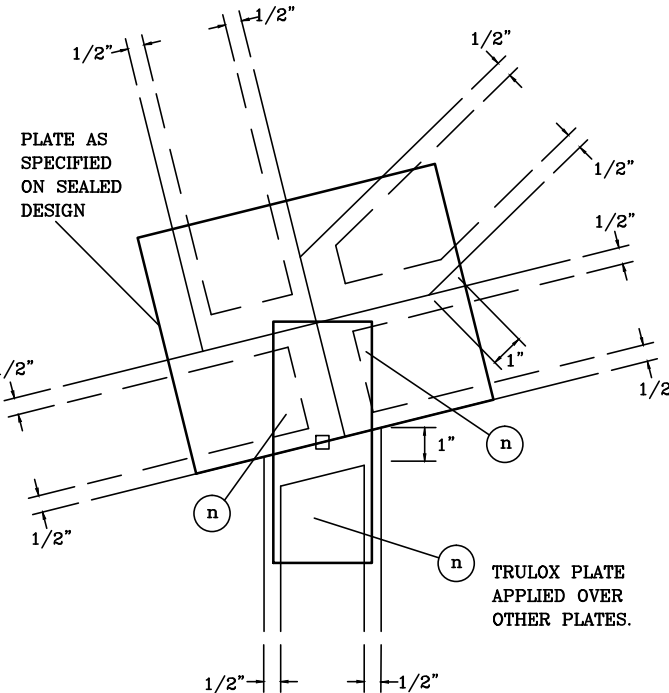
DO NOT APPLY NAILS WITHIN 1/2" OF LUMBER EDGES OR 1" OF LUMBER ENDS ON EACH FACE, AS SHOWN BY DASHED LINES.

NAILS MUST NOT SPLIT LUMBER.

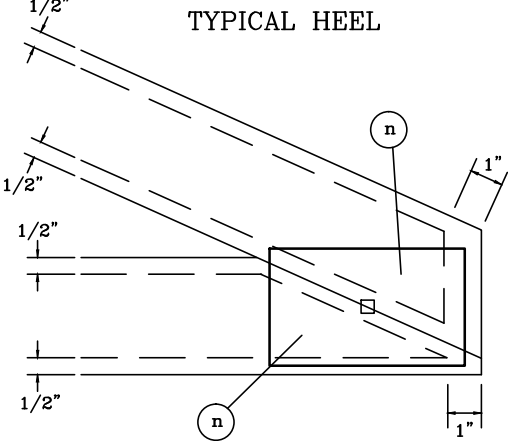
TYPICAL PANEL POINT WITHOUT SPLICE



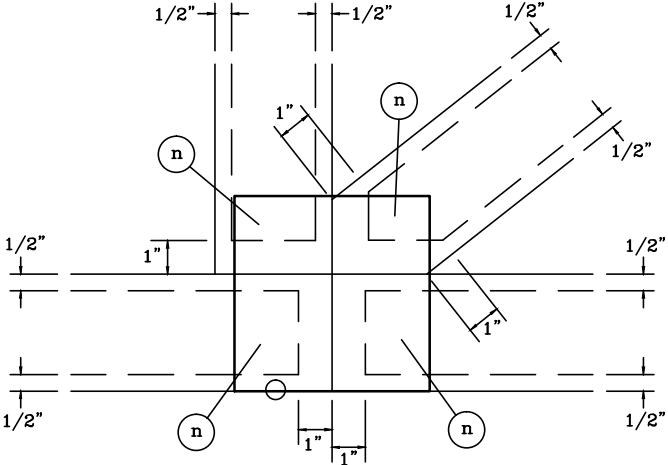
TYPICAL FILLER



TYPICAL HEEL



TYPICAL PANEL POINT SPLICE



155 Harlem Ave  
North Building, 4th Floor  
Glenview, IL 60025

NOTES:  
(n) IS THE REQUIRED NUMBER OF 0.120" X 1.375" NAILS, OR EQUAL, PER FACE PER PLY AS SPECIFIED ON THE SEALED DESIGN REFERENCING THIS DETAIL.  
○ LOCATES PLATE CORNER OR FLUSH EDGE.  
□ LOCATES PLATE CENTER.

TRULOX PLATING

160  
TL

PAGE 1 OF 1

DATE 10/01/14