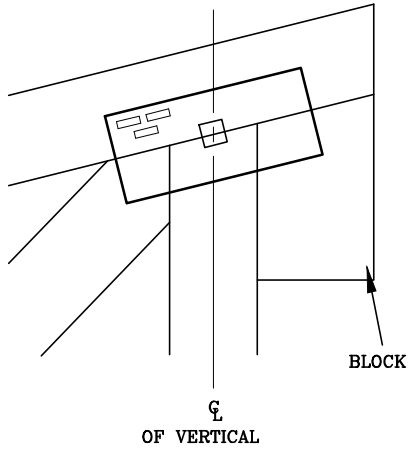


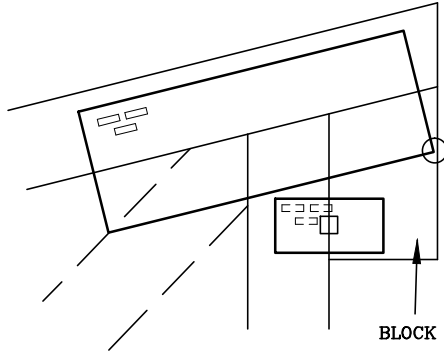
# MID HEIGHT BEARING PLATE LOCATION DETAILS

M1

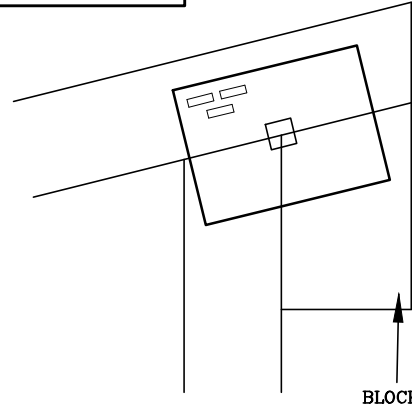


M2

DASHED WEB AND TIE PLATE MAY BE REQUIRED AS SPECIFIED ON SEALED DESIGN.



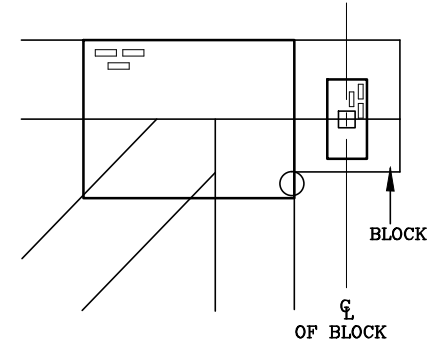
M3



M4

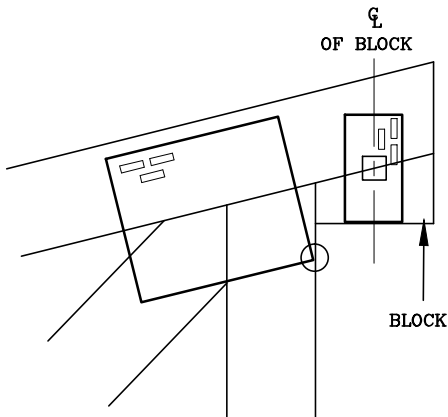
BLOCK LENGTH IS LESS THAN 8"

WIDTH OF PLATE IS GREATER THAN THE TRUSS HEEL HEIGHT.



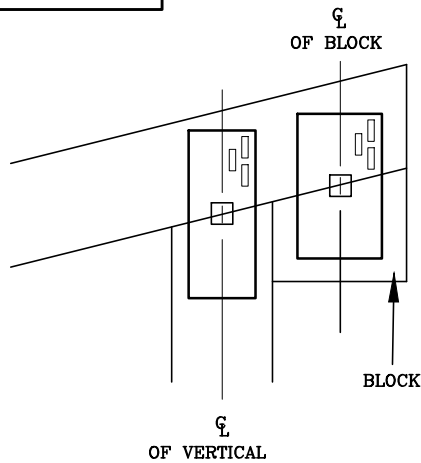
M5

BLOCK LENGTH IS LESS THAN 8"



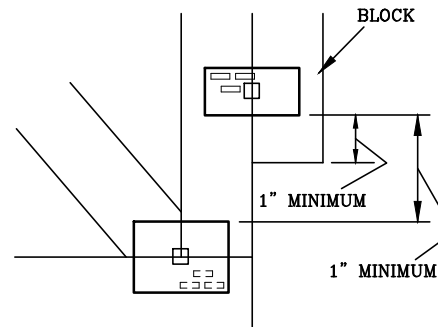
M6

BLOCK LENGTH IS LESS THAN 8"



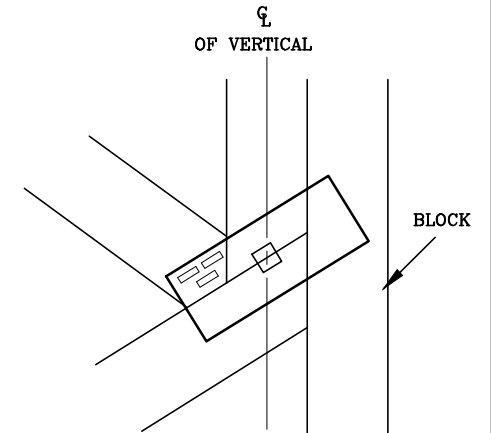
M7

BLOCK TIE PLATE POSITIONING



M8

BLOCK LENGTH IS MORE THAN END HEIGHT



155 Harlem Ave  
North Building, 4th Floor  
Glenview, IL 60025

NOTES:  
THIS DETAIL IS FOR USE WITH 2X<sub>6</sub> ORIENTED TRUSSES ONLY.  
○ LOCATES PLATE CORNER OR FLUSH EDGE.  
□ LOCATES PLATE CENTER.

MID HEIGHT BEARINGS

160  
M

M1 THROUGH M8

DATE 10/01/14