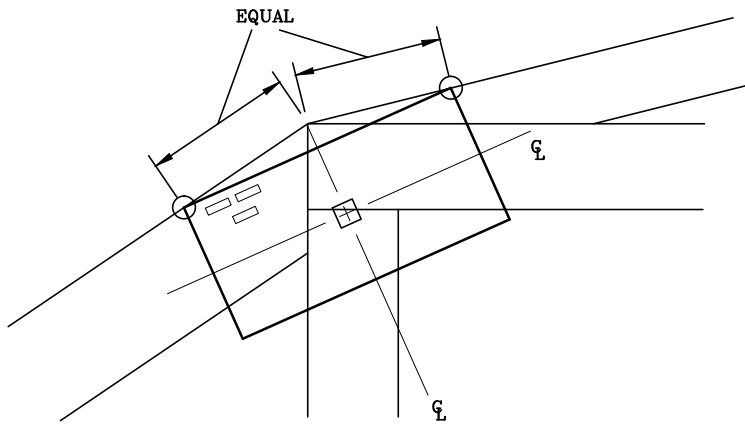
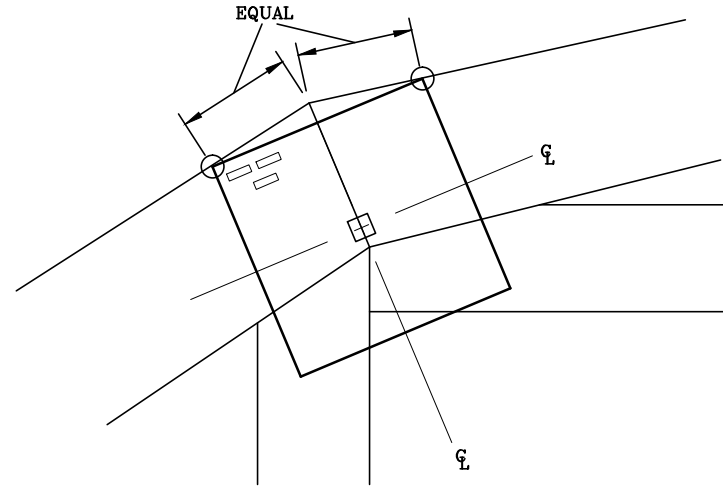


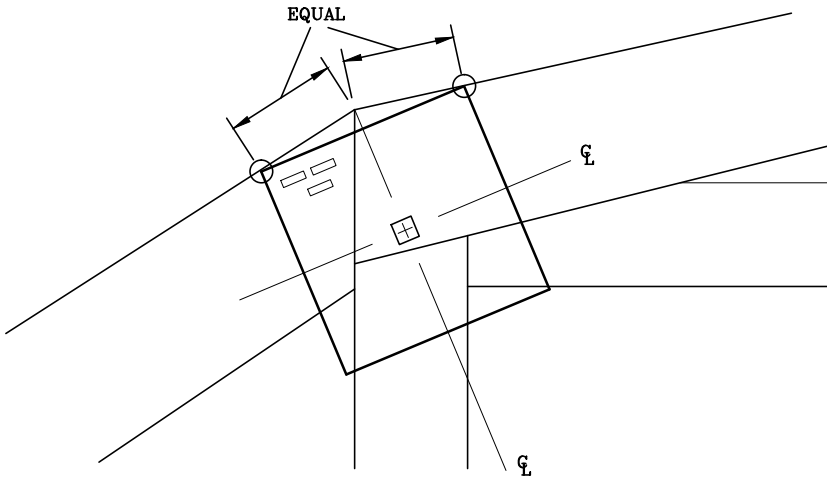
GAMBREL BREAK JOINT PLATE LOCATION DETAILS



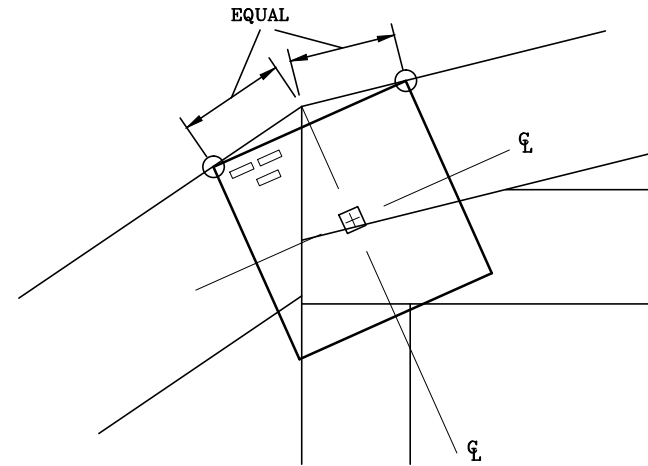
PLUMB/STANDARD JOINT



MITRE JOINT



PLUMB/STANDARD JOINT



PLUMB/STANDARD JOINT

NOTES:
 PLATE CENTERED ALONG THE BISECTOR OF THE ANGLE BETWEEN THE OUTER EDGES OF THE CHORDS.
 ○ LOCATES PLATE CORNER OR FLUSH EDGE.
 □ LOCATES PLATE CENTER.



155 Harlem Ave
 North Building, 4th Floor
 Glenview, IL 60025

GAMBREL BREAK JOINT

160
 J

PAGE 2 OF 2

DATE 10/01/14