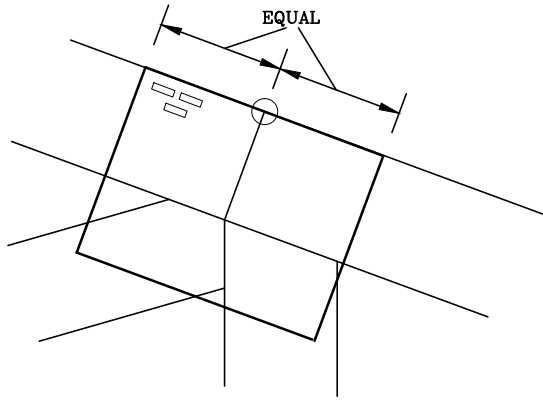
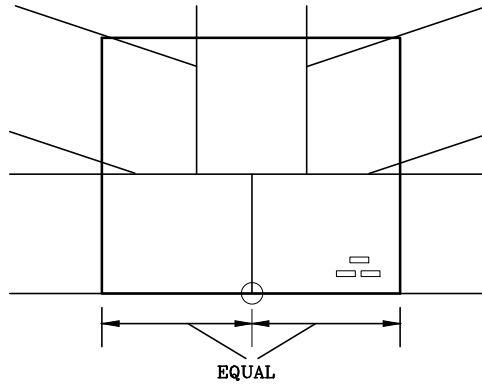


PLATE LOCATION ON SPLICE JOINTS

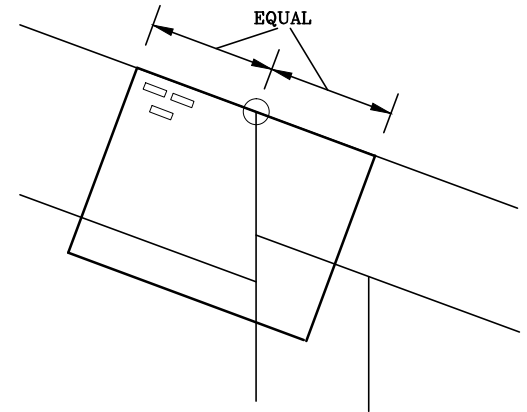
TOP EDGE OF SPLICE PLATE HELD FLUSH WITH TOP EDGE OF TOP CHORD.



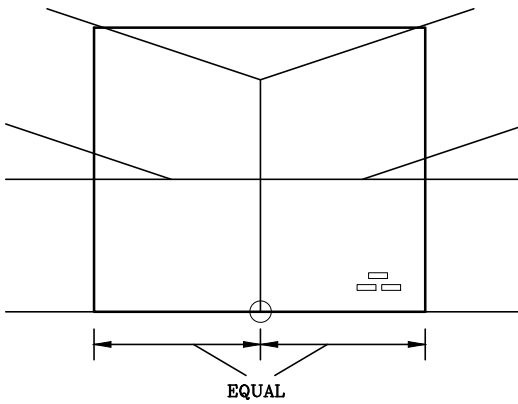
BOTTOM EDGE OF SPLICE PLATE HELD FLUSH WITH BOTTOM EDGE OF BOTTOM CHORD.



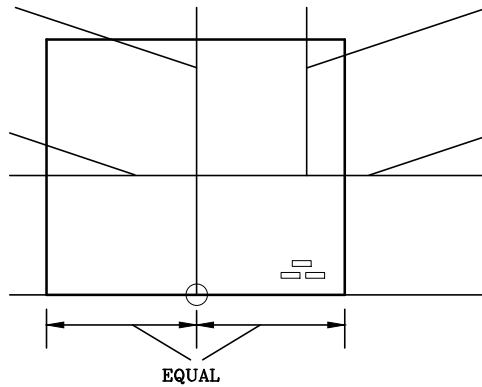
TOP EDGE OF SPLICE PLATE HELD FLUSH WITH TOP EDGE OF TOP CHORD.



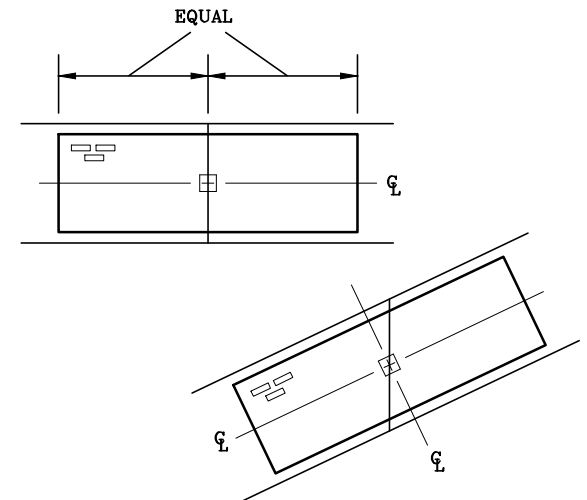
BOTTOM EDGE OF SPLICE PLATE HELD FLUSH WITH BOTTOM EDGE OF BOTTOM CHORD.



BOTTOM EDGE OF SPLICE PLATE HELD FLUSH WITH BOTTOM EDGE OF BOTTOM CHORD.



CHORD SPLICES WITH NO WEBS



NOTES:

- LOCATES PLATE CORNER OR FLUSH EDGE.
- LOCATES PLATE CENTER.



155 Harlem Ave
North Building, 4th Floor
Glenview, IL 60025

TYPICAL LOCATIONS

160
I

PAGE 2 OF 2

DATE 10/01/14