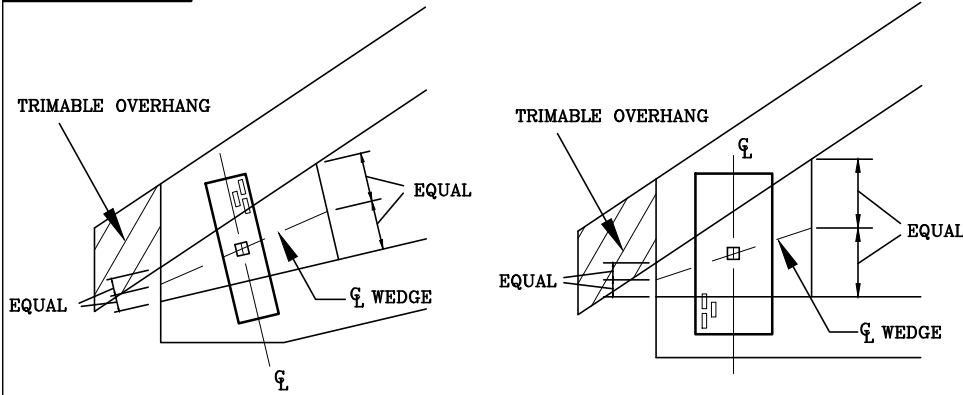
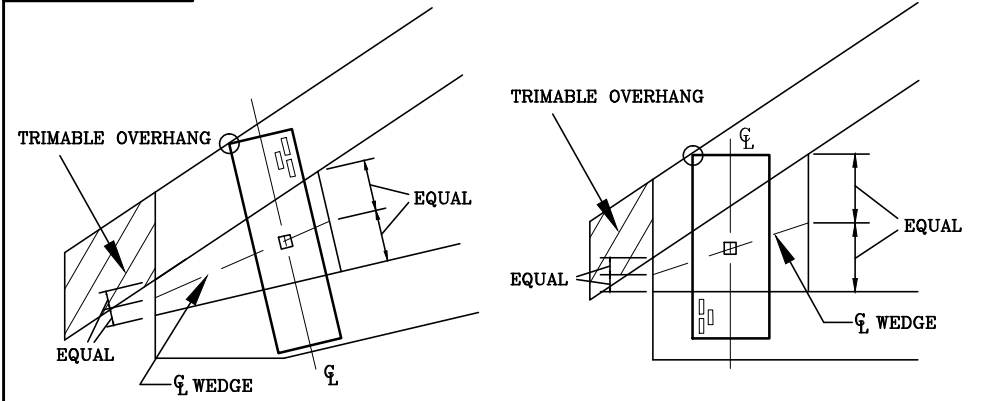


STUBBED WEDGE PLATE LOCATION DETAILS

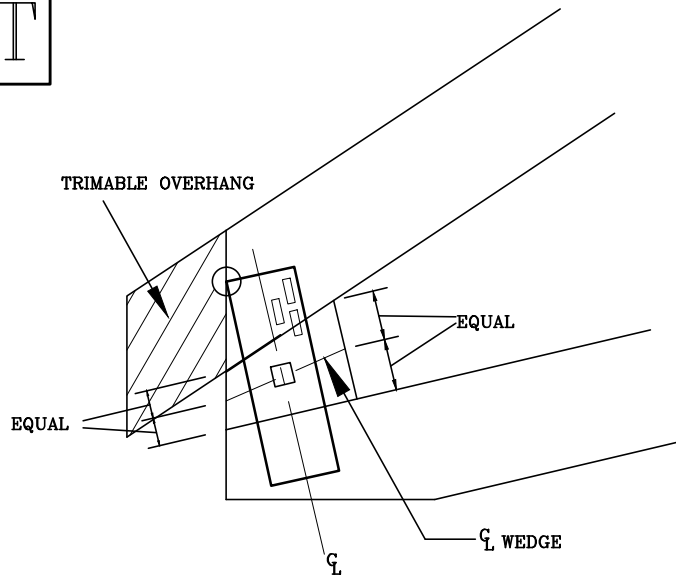
G1T



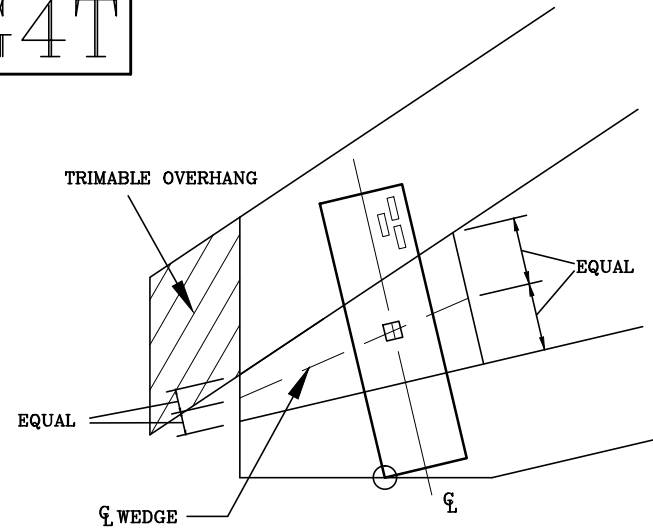
G2T



G3T



G4T



155 Harlem Ave
North Building, 4th Floor
Glenview, IL 60025

NOTES:
 PLATE CENTERED VERTICALLY ON WEDGE CENTERLINE.
 PLATE SHIFTED INWARDS ALONG WEDGE CENTERLINE. PLATE CENTERLINE MAY NOT SHIFT MORE THAN 6" FROM OUTER EDGE OF WEDGE MEASURED ALONG TOP OF BOTTOM CHORD.
 PLATE SLOTS PERPENDICULAR TO BOTTOM CHORD.
 ○ LOCATES PLATE CORNER OR FLUSH EDGE.
 □ LOCATES PLATE CENTER.

STUBBED WEDGE

160
GT

G1T THROUGH G4T

DATE 10/01/14