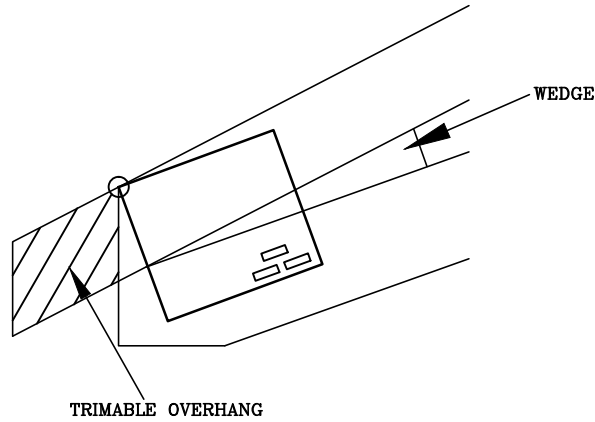


HEEL JOINT PLATE LOCATION DETAILS

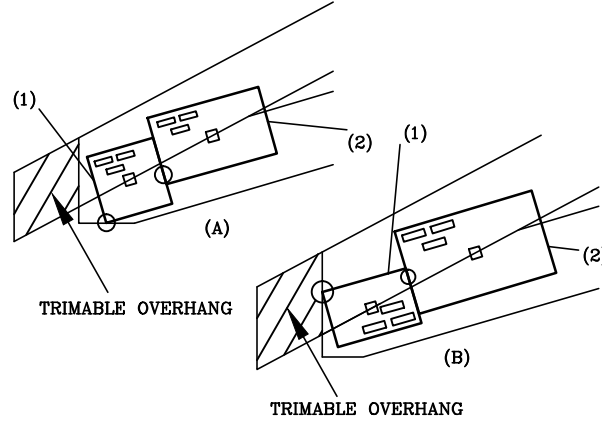
F5T

CORNER OF PLATE HELD AT TOP OF TOP CHORD:
 PLATE PARALLEL WITH BOTTOM CHORD
 (SHIFTED POSITION) WITHOUT OVERHANG.



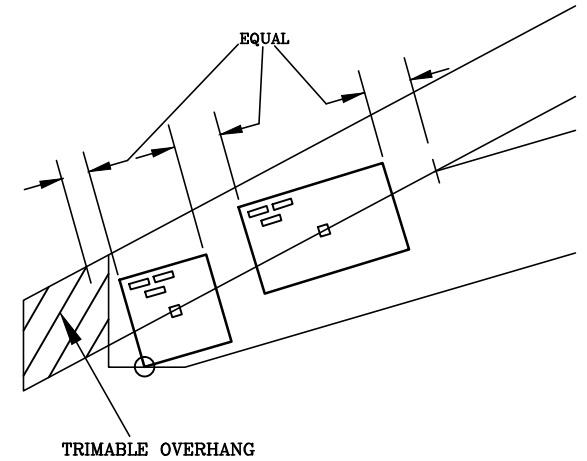
F6T

(1) SEE NOTE (A AND B)
 (A) SEAT CUT
 (B) END OF TOP CHORD
 (WITHOUT OVERHANG)
 (2) PLATE CENTERED VERTICALLY ON SCARF
 AND HELD FLUSH WITH PLATE (1).



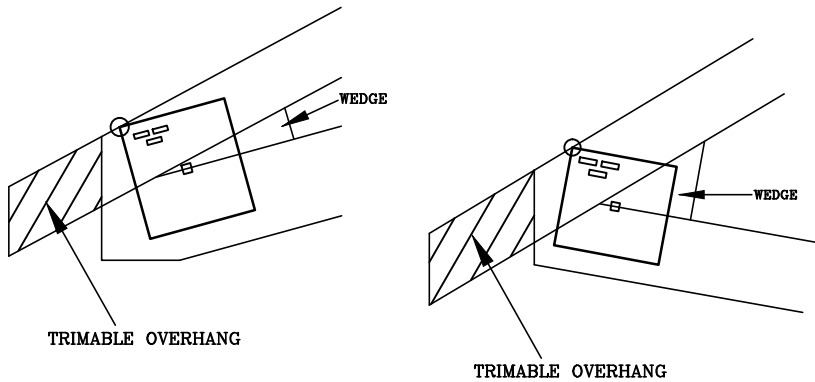
F9T

(1) PLATES CENTERED VERTICALLY ON SCARF
 AND EQUALLY SPACED AS SHOWN.



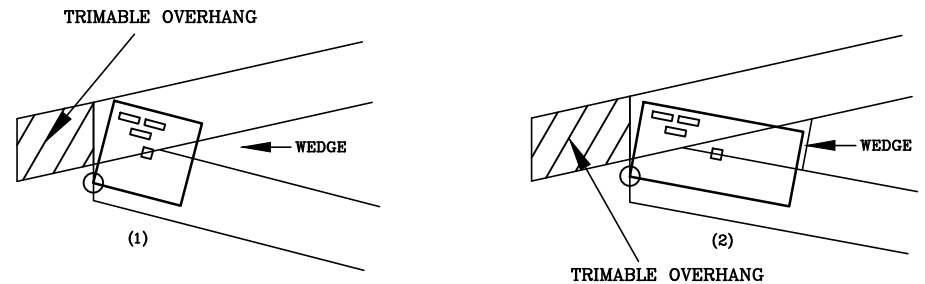
F10T

PLATE CENTERED VERTICALLY ON TOP OF BOTTOM CHORD.
 PLATE EDGE HELD AT TOP EDGE OF TOP CHORD.



F12T

PLATE CORNER HELD AT END OF BOTTOM CHORD:
 (1) PLATE CENTERED VERTICALLY ON SCARF.
 (2) PLATE CENTERED VERTICALLY ON TOP EDGE OF BOTTOM CHORD.



NOTES:
 PLATE (1) IS ALWAYS CENTERED VERTICALLY ON SCARF AND PLATE MUST SLIDE
 BACK UNTIL END OF PLATE HITS ONE OF 3 POSSIBLE CONTROL POINTS:
 ALL PLATES ARE PARALLEL WITH BOTTOM CHORD UNLESS NOTED.
 WEDGE/SLIDER MAY BE REQUIRED AS SPECIFIED ON SEALED DESIGN.
 ○ LOCATES PLATE CORNER OR FLUSH EDGE.
 □ LOCATES PLATE CENTER.



155 Harlem Ave
 North Building, 4th Floor
 Glenview, IL 60025

NON-STD SCISSOR HEEL

160
 FT

F5T THROUGH F12T

DATE 10/01/14