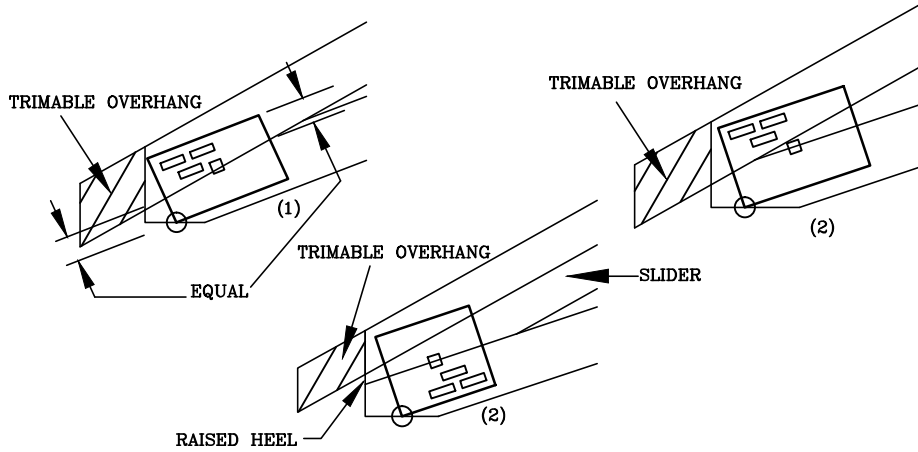


HEEL JOINT PLATE LOCATION DETAILS

F1T

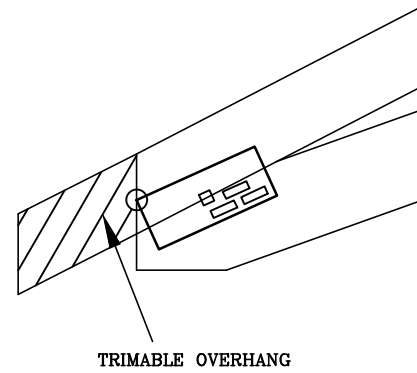
PLATE CORNER HELD TO SEAT CUT:

- (1) PLATE CENTERED VERTICALLY ON SCARF.
- (2) PLATE CENTERED VERTICALLY ON TOP EDGE OF BOTTOM CHORD.



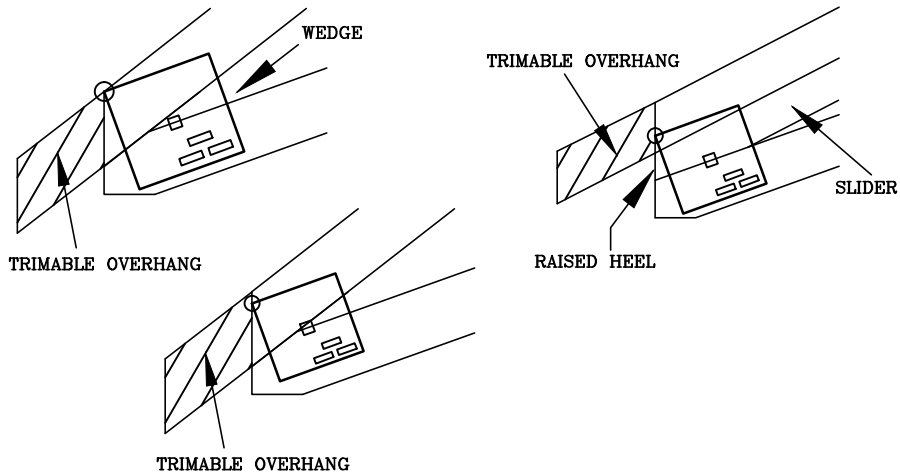
F2T

PLATE CENTERED VERTICALLY ON SCARF AND HELD AT END OF TOP CHORD (WITHOUT OVERHANG).



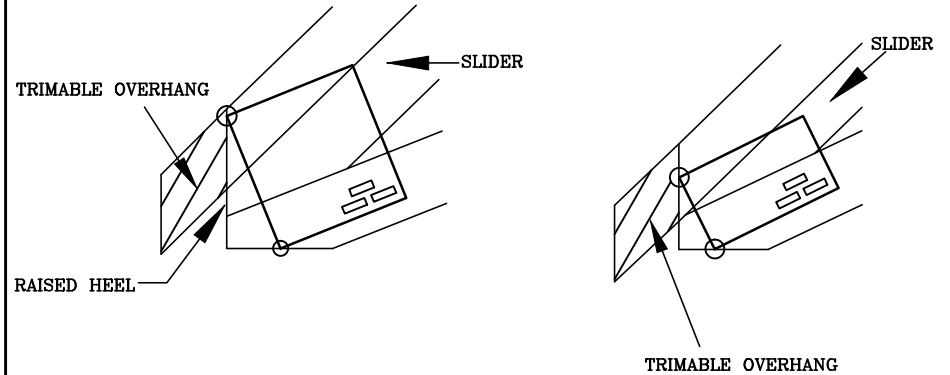
F3T

PLATE CENTERED VERTICALLY ON TOP EDGE OF BOTTOM CHORD AND HELD AT END OF TOP CHORD (WITHOUT OVERHANG).



F4T

PLATE CORNER HELD AT SEAT CUT AND PLATE CORNER HELD AT END OF TOP CHORD (WITHOUT OVERHANG).



155 Harlem Ave
North Building, 4th Floor
Glenview, IL 60025

NOTES:
ALL PLATE SLOTS ARE PARALLEL WITH THE BOTTOM CHORD UNLESS NOTED.
WEDGE/SLIDER MAY BE REQUIRED AS SPECIFIED ON SEALED DESIGN.
○ LOCATES PLATE CORNER OR FLUSH EDGE.
□ CENTER OF PLATE.

NON-STD SCISSOR HEEL

160
FT

F1T THROUGH F4T

DATE 10/01/14