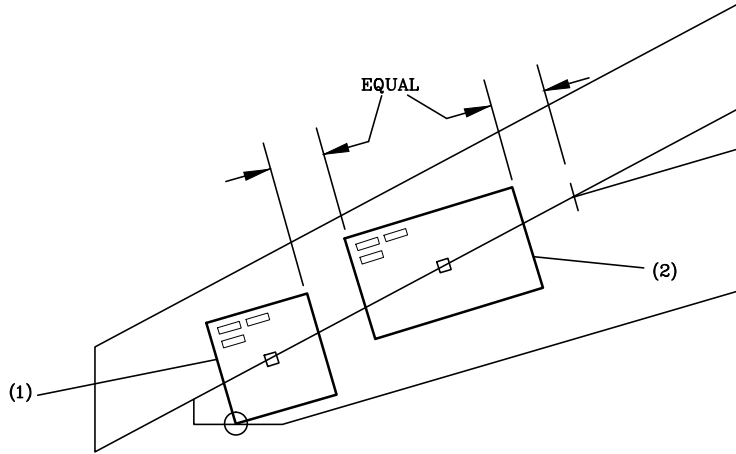


# HEEL JOINT PLATE LOCATION DETAILS

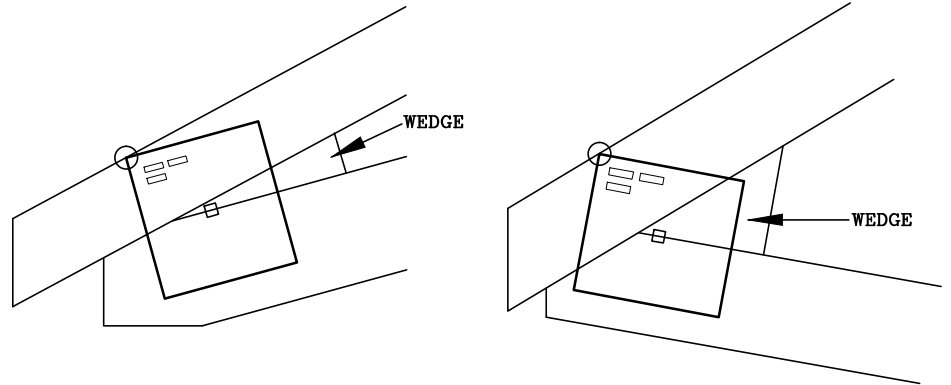
**F9**

- (1) SEE NOTE 1 (B) SHOWN BELOW.
- (2) PLATE CENTERED VERTICALLY ON SCARF AND EQUALLY SPACED AS SHOWN.



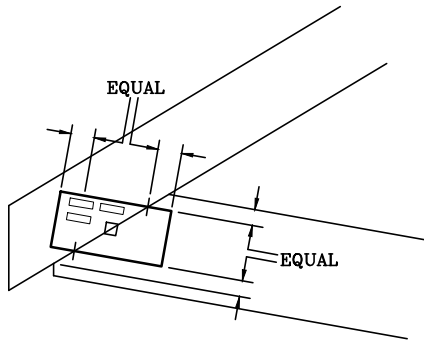
**F10**

- PLATE CENTERED VERTICALLY ON TOP EDGE OF BOTTOM CHORD.
- PLATE CORNER HELD AT TOP EDGE OF TOP CHORD.



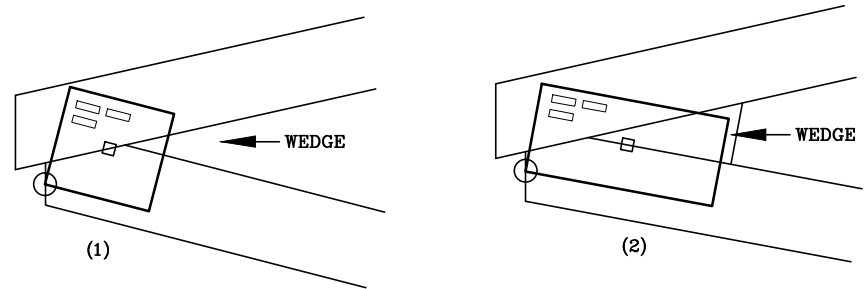
**F11**

PLATE CENTERED ON SCARF.



**F12**

- PLATE CORNER HELD AT END OF BOTTOM CHORD:
- (1) PLATE CENTERED VERTICALLY ON SCARF.
- (2) PLATE CENTERED VERTICALLY ON TOP EDGE OF BOTTOM CHORD.



155 Harlem Ave  
North Building, 4th Floor  
Glenview, IL 60025

NOTES:  
ALL PLATES ARE PARALLEL WITH BOTTOM CHORD UNLESS NOTED.  
WEDGE/SLIDER MAY BE REQUIRED AS SPECIFIED ON SEALED DESIGN.  
○ LOCATES PLATE CORNER OR FLUSH EDGE.  
□ LOCATES PLATE CENTER.

NON-STD SCISSOR HEEL

160  
F

F9 THROUGH F12

DATE 10/01/14