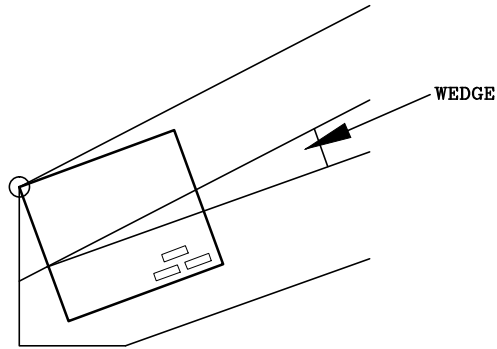


HEEL JOINT PLATE LOCATION DETAILS

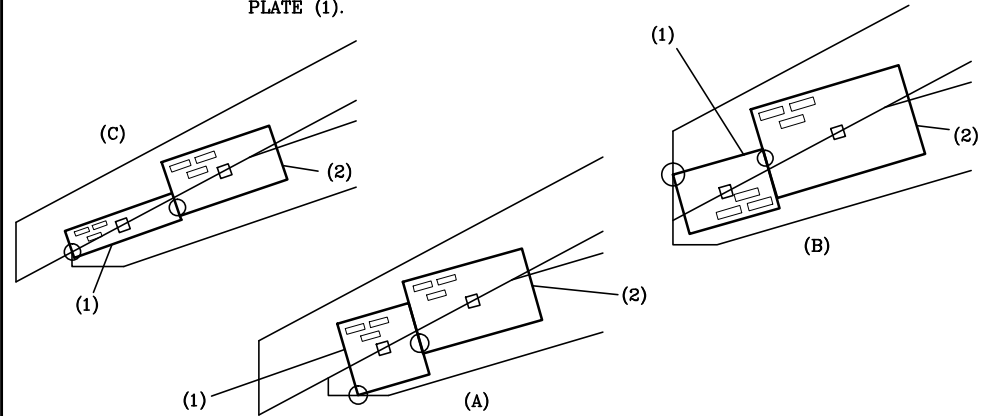
F5

CORNER OF PLATE HELD AT TOP OF TOP CHORD:
 PLATE PARALLEL WITH BOTTOM CHORD (SHIFTED POSITION) WITHOUT OVERHANG.



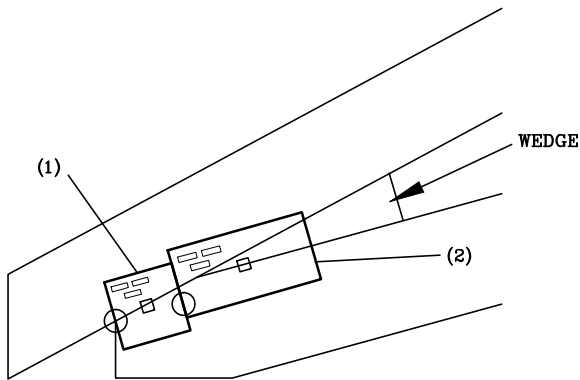
F6

(1) SEE NOTE 1 (A, B, AND C) SHOWN BELOW.
 (A) SEAT CUT.
 (B) END OF TOP CHORD (WITHOUT OVERHANG).
 (C) TOP OF BUTT CUT (WITH OVERHANG).
 (2) PLATE CENTERED VERTICALLY ON SCARF AND HELD FLUSH WITH PLATE (1).



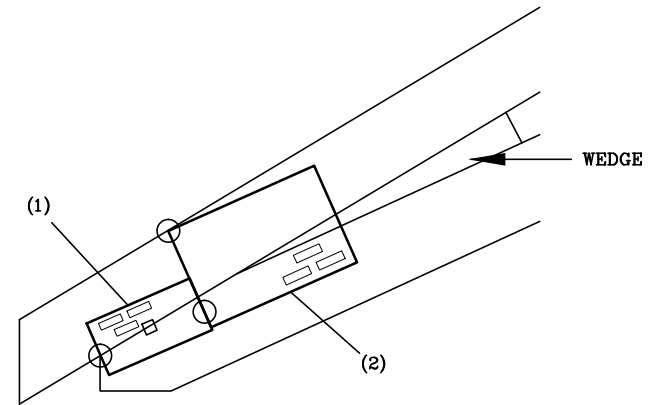
F7

(1) SEE NOTE 1 (A) SHOWN BELOW.
 (2) PLATE CENTERED VERTICALLY ON TOP EDGE OF BOTTOM CHORD AND HELD FLUSH WITH PLATE (1).



F8

(1) SEE NOTE 1 (A) SHOWN BELOW.
 (2) PLATE CORNER HELD AT TOP OF TOP CHORD; PLATE HELD FLUSH WITH PLATE (1).



NOTES:
 PLATE (1) IS ALWAYS CENTERED VERTICALLY ON SCARF AND PLATE MUST SLIDE BACK UNTIL END OF PLATE HITS ONE OF 3 POSSIBLE CONTROL POINTS.
 ALL PLATES ARE PARALLEL WITH BOTTOM CHORD UNLESS NOTED.
 WEDGE/SLIDER MAY BE REQUIRED AS SPECIFIED ON SEALED DESIGN.
 ○ LOCATES PLATE CORNER OR FLUSH EDGE.
 □ LOCATES PLATE CENTER.



155 Harlem Ave
 North Building, 4th Floor
 Glenview, IL 60025

NON-STD SCISSOR HEEL

160 F

F5 THROUGH F8

DATE 10/01/14