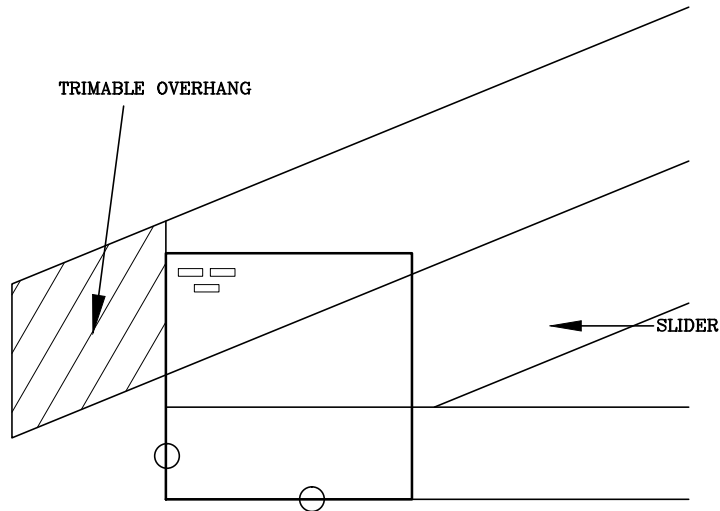


HEEL JOINT PLATE LOCATION DETAILS

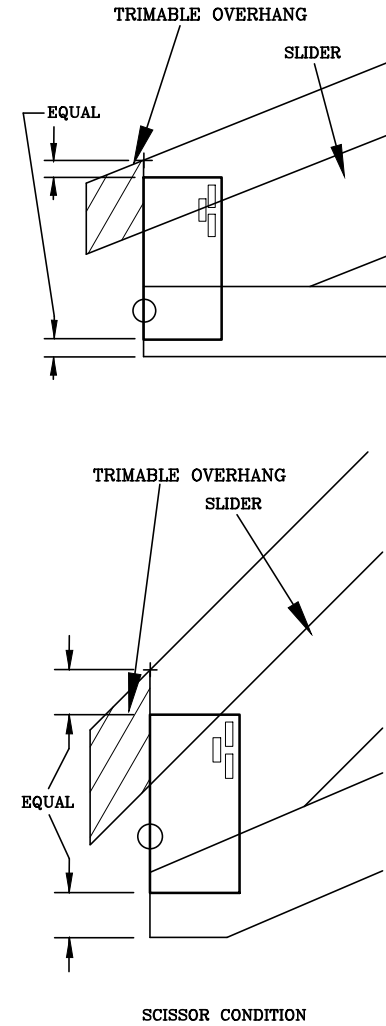
E4T

PLATE HELD FLUSH WITH BOTTOM AND END OF BOTTOM CHORD.



E5T

PLATE HELD FLUSH WITH END OF BOTTOM CHORD, EQUALLY SPACED AS SHOWN, AND ROTATED 90.



NOTES:

- LOCATES PLATE CORNER OR FLUSH EDGE.
- LOCATES PLATE CENTER.



155 Harlem Ave
North Building, 4th Floor
Glenview, IL 60025

SLIDER HEEL

160
ET

E4T THROUGH E5T

DATE 10/01/14