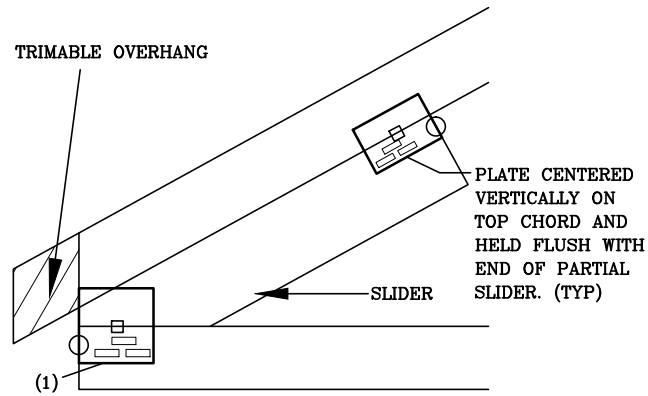


HEEL JOINT PLATE LOCATION DETAILS

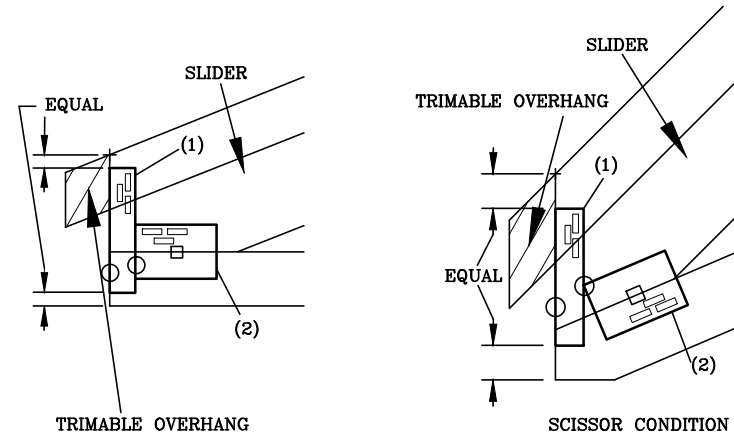
E1T

- (1) PLATE CENTERED VERTICALLY ON TOP EDGE OF BOTTOM CHORD AND HELD FLUSH WITH END OF BOTTOM CHORD.



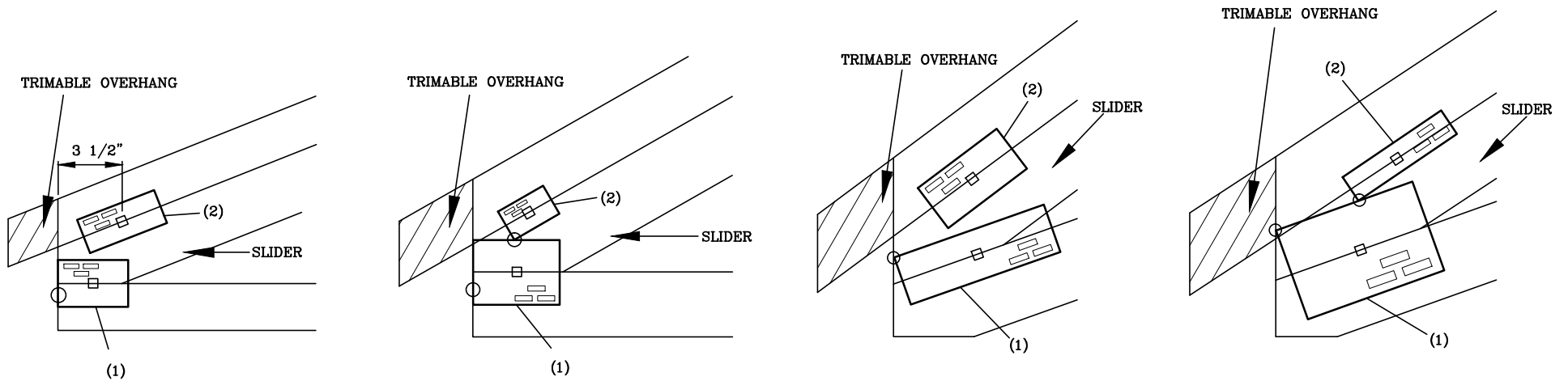
E3T

- (1) PLATE HELD FLUSH WITH END OF BOTTOM CHORD, EQUALLY SPACED AS SHOWN, AND ROTATED 90°. (2) PLATE CENTERED VERTICALLY ON TOP EDGE OF BOTTOM CHORD AND HELD FLUSH WITH PLATE (1).



E2T

- (1) PLATE CENTERED VERTICALLY ON TOP EDGE OF BOTTOM CHORD AND HELD FLUSH WITH END OF BOTTOM CHORD.
 (2) PLATE CENTERED VERTICALLY ON BOTTOM EDGE OF TOP CHORD AND LOCATED HORIZONTALLY AS SHOWN OR HELD AT PLATE (1).



- NOTES:
 ○ LOCATES PLATE CORNER OR FLUSH EDGE.
 □ LOCATES PLATE CENTER.



155 Harlem Ave
 North Building, 4th Floor
 Glenview, IL 60025

SLIDER HEEL

160
 ET

E1T THROUGH E3T

DATE 10/01/14