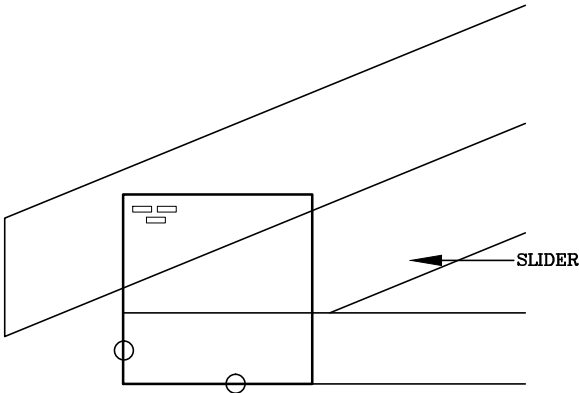


HEEL JOINT PLATE LOCATION DETAILS

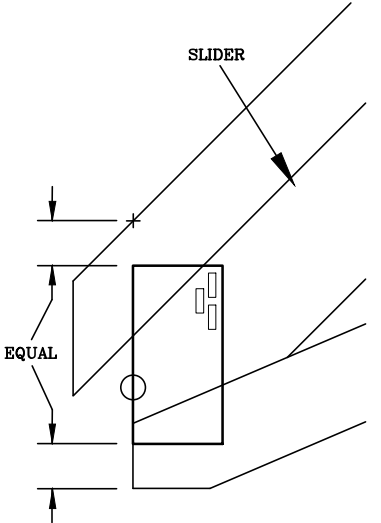
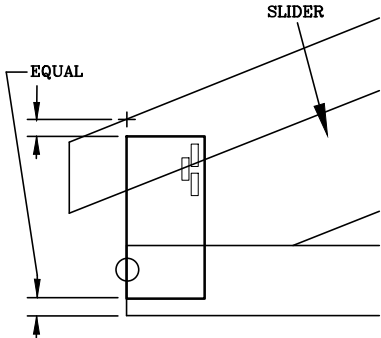
E4

PLATE HELD FLUSH WITH BOTTOM AND END OF BOTTOM CHORD.



E5

PLATE HELD FLUSH WITH END OF BOTTOM CHORD, EQUALLY SPACED AS SHOWN, AND ROTATED 90.



SCISSOR CONDITION

- NOTES:
 ○ LOCATES PLATE CORNER OR FLUSH EDGE.
 □ LOCATES PLATE CENTER.



155 Harlem Ave
 North Building, 4th Floor
 Glenview, IL 60025

SLIDER HEEL

160
E

E4 THROUGH E5

DATE 10/01/14