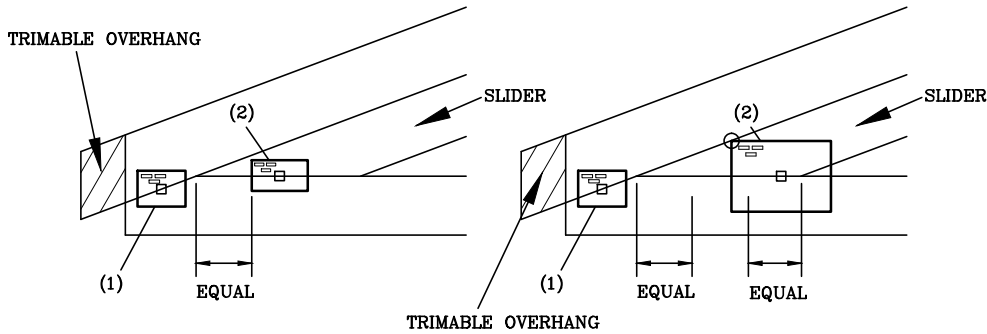


HEEL JOINT PLATE LOCATION DETAILS

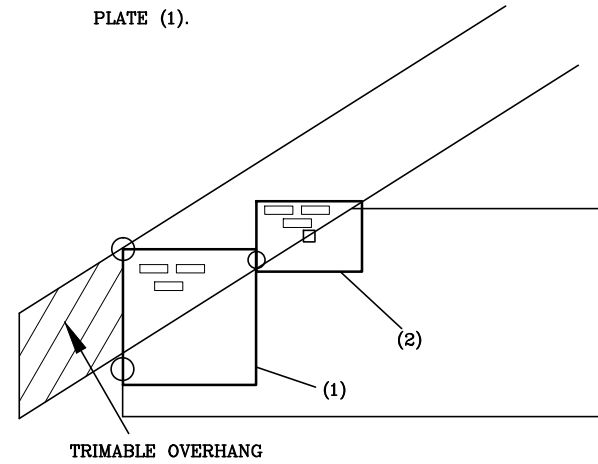
C6T

- (1) SEE APPLICABLE DETAIL. (A1 SHOWN)
- (2) PLATE CENTERD VERTICALLY ON TOP EDGE OF BOTTOM CHORD AND EQUALLY SPACED AS SHOWN OR HELD AT BOTTOM EDGE OF TOP CHORD (SHOWN DASHED) EDGE OF TOP CHORD (SHOWN DASHED).



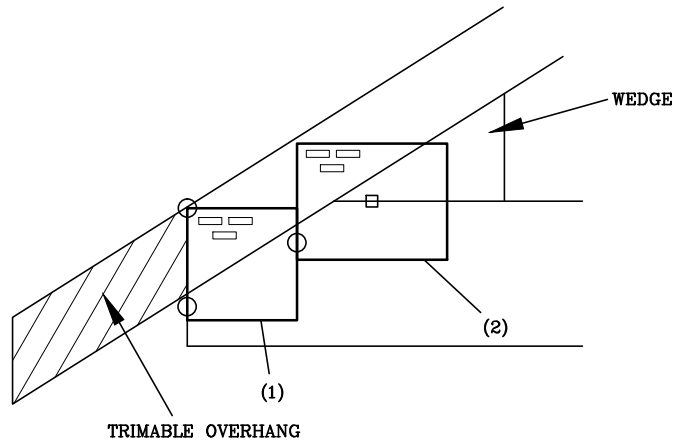
C7T

- (1) PLATE CORNER HELD AT TOP OF TOP CHORD AND FLUSH WITH END OF BOTTOM CHORD.
- (2) PLATE CENTERED VERTICALLY ON SCARF AND HELD FLUSH WITH PLATE (1).



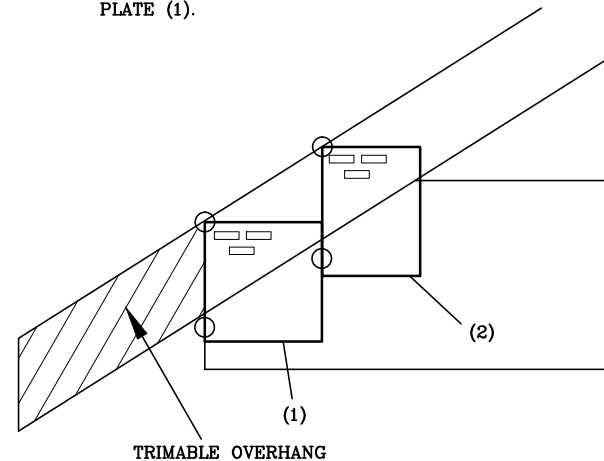
C8T

- (1) PLATE CORNER HELD AT TOP OF TOP CHORD AND FLUSH WITH END OF BOTTOM CHORD.
- (2) PLATE CENTERED VERTICALLY AT TOP EDGE OF BOTTOM CHORD AND HELD FLUSH WITH PLATE (1).



C9T

- (1) PLATE CORNER HELD AT TOP OF TOP CHORD AND FLUSH WITH END OF BOTTOM CHORD.
- (2) PLATE CORNER HELD AT TOP OF TOP CHORD AND HELD FLUSH WITH PLATE (1).



155 Harlem Ave
North Building, 4th Floor
Glenview, IL 60025

NOTES:
WEDGE/SLIDER MAY BE REQUIRED AS SPECIFIED ON SEALED DESIGN.
○ LOCATES PLATE CORNER OR FLUSH EDGE.
□ LOCATES PLATE CENTER.

NON-STANDARD HEEL

160 CT

C6T THROUGH C9T

DATE 10/01/14