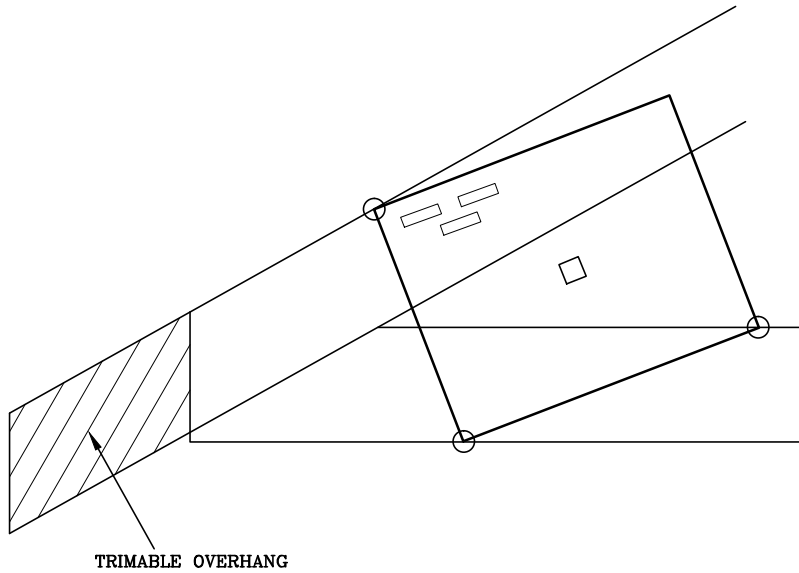


HEEL JOINT PLATE LOCATION DETAILS

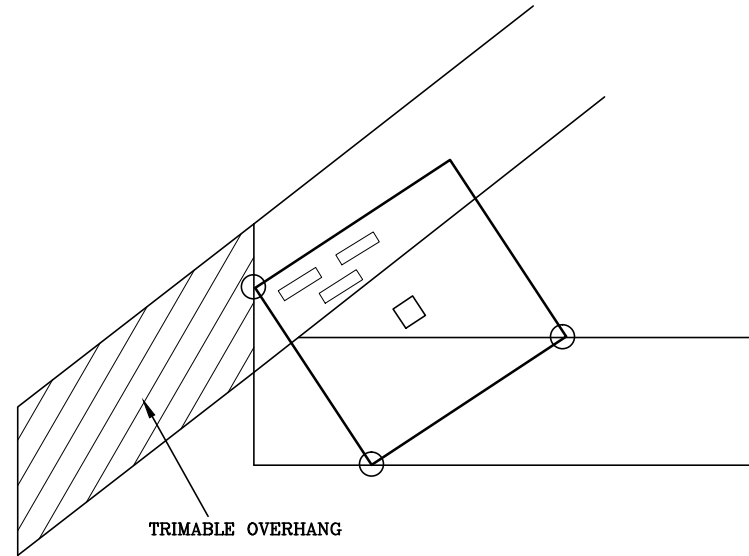
B11RT

LEFT SIDE OF PLATE CORNERS FLUSH TO TOP AND BOTTOM CHORD.
LOWER RIGHT CORNER OF PLATE FLUSH TO UPPER EDGE OF BOTTOM CHORD.



B12RT

LOWER RIGHT CORNER OF PLATE FLUSH TO UPPER EDGE OF BOTTOM CHORD.
LEFT SIDE OF PLATE FLUSH TO BOTTOM CHORD AND TO HEEL.



NOTES:
WEDGE/SLIDER MAY BE REQUIRED AS SPECIFIED ON SEALED DESIGN.
○ LOCATES PLATE CORNER OR FLUSH EDGE.
□ LOCATES PLATE CENTER.



155 Harlem Ave
North Building, 4th Floor
Glenview, IL 60025

NON-STANDARD HEEL

160
BT

B11RT THROUGH B12RT

DATE 10/01/14