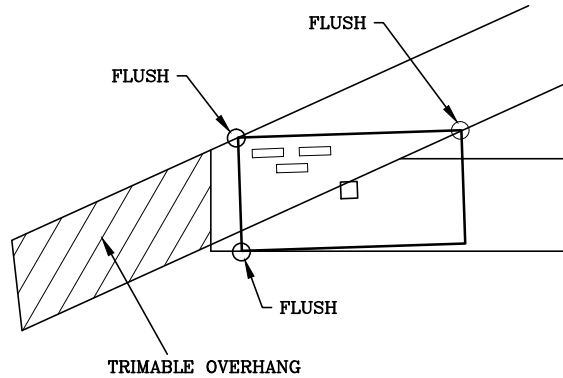


HEEL JOINT PLATE LOCATION DETAILS

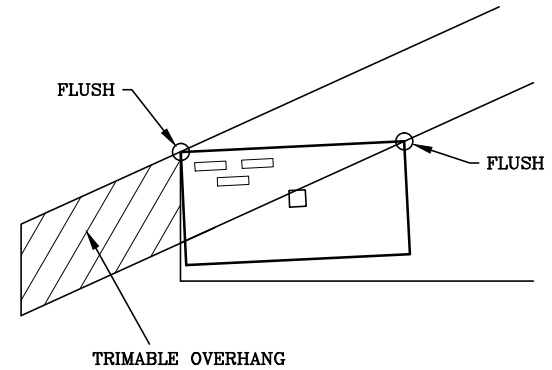
B7RT

LEFT SIDE OF PLATE CORNERS FLUSH TO TOP AND BOTTOM CHORD
 UPPER RIGHT CORNER OF PLATE FLUSH TO UNDERSIDE OF TOP CHORD.



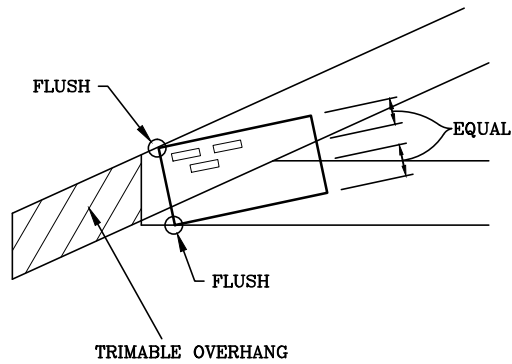
B8RT

UPPER LEFT CORNER OF PLATE FLUSH TO TOP OF HEEL
 UPPER RIGHT CORNER OF PLATE FLUSH TO UNDERSIDE OF TOP CHORD.



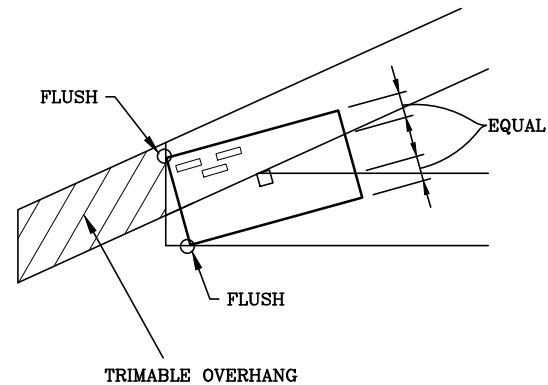
B9RT

LEFT SIDE OF PLATE CORNERS FLUSH TO TOP AND BOTTOM CHORD
 RIGHT SIDE OF PLATE SYMMETRICAL TO TOP AND BOTTOM CHORD AS SHOWN.



B10RT

LEFT SIDE OF PLATE FLUSH TO HEEL AND BOTTOM CHORD
 RIGHT SIDE OF PLATE SYMMETRICAL TO TOP AND BOTTOM CHORD AS SHOWN



NOTES:
 WEDGE/SLIDER MAY BE REQUIRED AS SPECIFIED ON SEALED DESIGN.
 ○ LOCATES PLATE CORNER OR FLUSH EDGE.
 □ LOCATES PLATE CENTER.



155 Harlem Ave
 North Building, 4th Floor
 Glenview, IL 60025

NON-STANDARD HEEL

160
BT

B7RT THROUGH B10RT

DATE 10/01/14