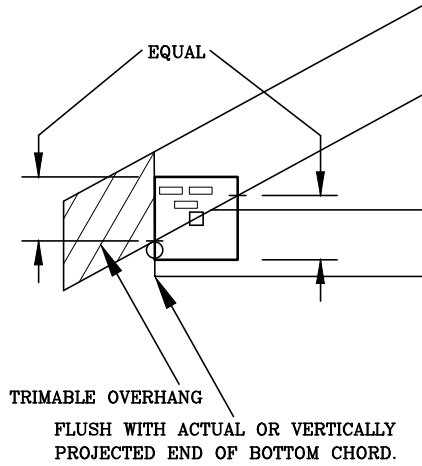


HEEL JOINT PLATE LOCATION DETAILS

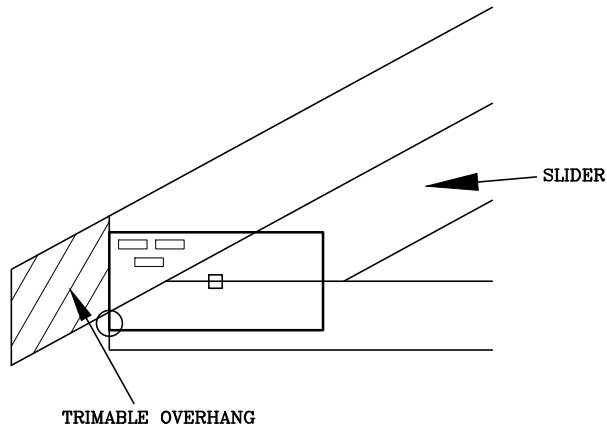
B1T

PLATE CENTERED VERTICALLY ON SCARF AND HELD FLUSH WITH END OF BOTTOM CHORD.



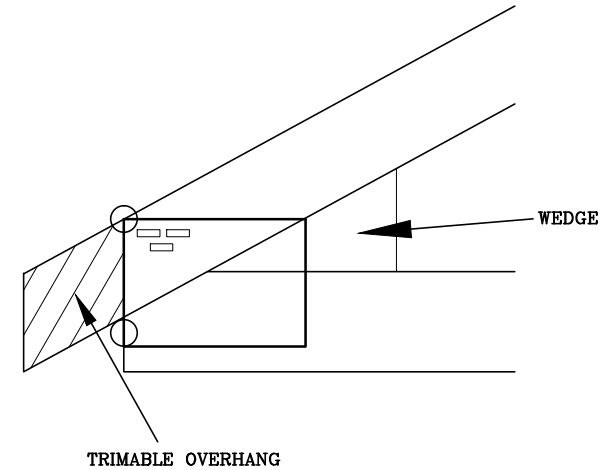
B2T

PLATE CENTERED VERTICALLY ON TOP EDGE OF BOTTOM CHORD AND HELD FLUSH WITH END OF BOTTOM CHORD.



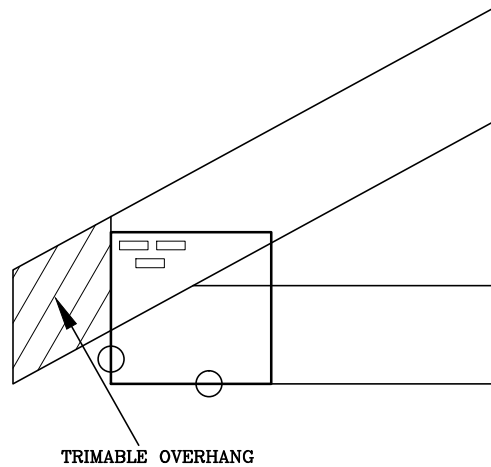
B3T

PLATE CORNER HELD AT TOP OF TOP CHORD AND HELD FLUSH WITH END OF BOTTOM CHORD.



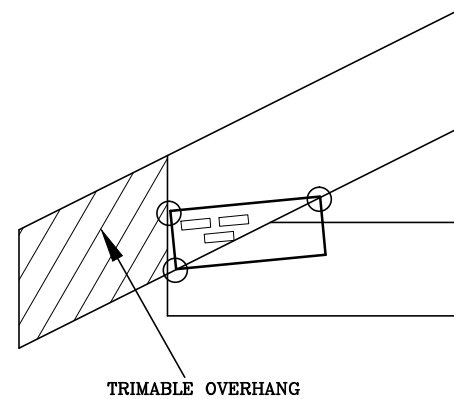
B4T

PLATE HELD FLUSH WITH BOTTOM OF BOTTOM CHORD AND END OF BOTTOM CHORD.



B6RT

ONE PLATE CORNER HELD AT END OF TOP CHORD.
PLATE IS ROTATED SUCH THAT OPPOSITE CORNERS OF PLATE ARE ON BOTTOM EDGE OF TOP CHORD. PLATE WILL EXTEND PAST SCARF.



155 Harlem Ave
North Building, 4th Floor
Glenview, IL 60025

- NOTES:**
 WEDGE/SLIDER MAY BE REQUIRED AS SPECIFIED ON SEALED DESIGN.
 ○ LOCATES PLATE CORNER OR FLUSH EDGE.
 □ LOCATES PLATE CENTER.

NON-STANDARD HEEL

160
BT

B1T THROUGH B6RT

DATE 10/01/14