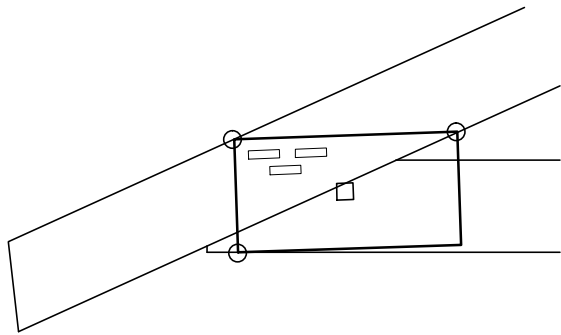


HEEL JOINT PLATE LOCATION DETAILS

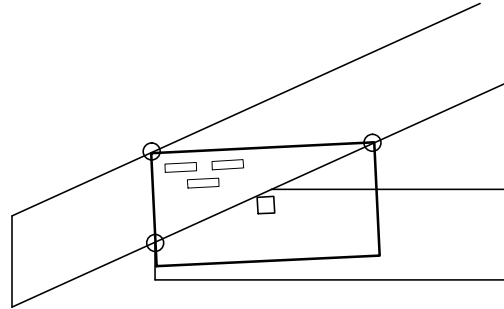
B7R

LEFT SIDE OF PLATE CORNERS FLUSH TO TOP AND BOTTOM CHORD.
UPPER RIGHT CORNER OF PLATE FLUSH TO UNDERSIDE OF TOP CHORD.



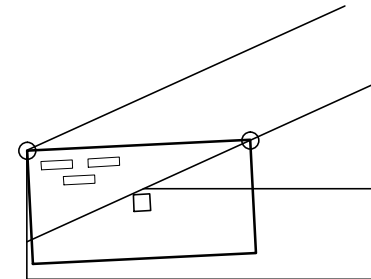
B8R

UPPER RIGHT CORNER OF PLATE FLUSH TO UNDERSIDE OF TOP CHORD.



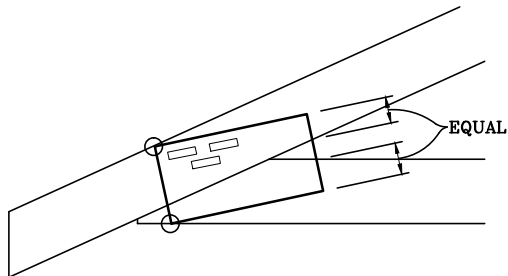
WITH OVERHANG:
LEFT SIDE OF PLATE FLUSH TO TOP CHORD AND LEFT SIDE OF SCARF.

WITHOUT OVERHANG:
UPPER LEFT CORNER OF PLATE FLUSH TO TOP OF HEEL.



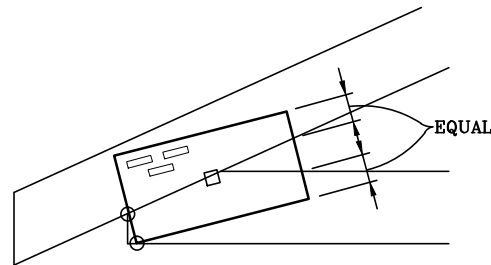
B9R

LEFT SIDE OF PLATE CORNERS FLUSH TO TOP AND BOTTOM CHORD.
RIGHT SIDE OF PLATE SYMMETRICAL TO TOP AND BOTTOM CHORD AS SHOWN.



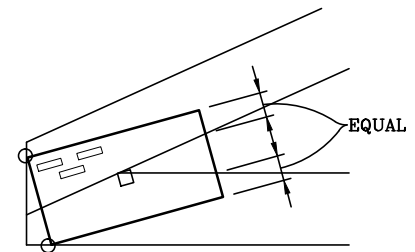
B10R

RIGHT SIDE OF PLATE SYMMETRICAL TO TOP AND BOTTOM CHORD AS SHOWN



WITH OVERHANG:
LEFT SIDE OF PLATE FLUSH TO BOTTOM CHORD AND LEFT SIDE OF SCARF.

WITHOUT OVERHANG:
LEFT SIDE OF PLATE FLUSH TO HEEL AND BOTTOM CHORD.



155 Harlem Ave
North Building, 4th Floor
Glenview, IL 60025

NOTES:
WEDGE/SLIDER MAY BE REQUIRED AS SPECIFIED ON SEALED DESIGN.
○ LOCATES PLATE CORNER OR FLUSH EDGE.
□ LOCATES PLATE CENTER.

NON-STANDARD HEEL

160
B

B7R THROUGH B10R

DATE 10/01/14