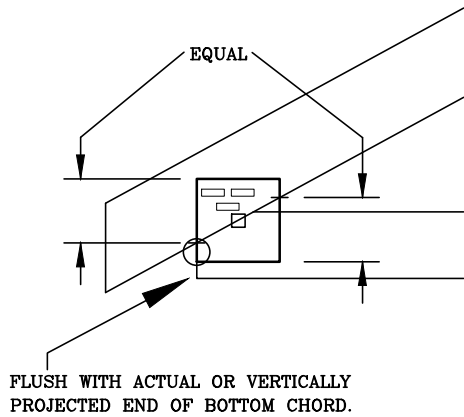


HEEL JOINT PLATE LOCATION DETAILS

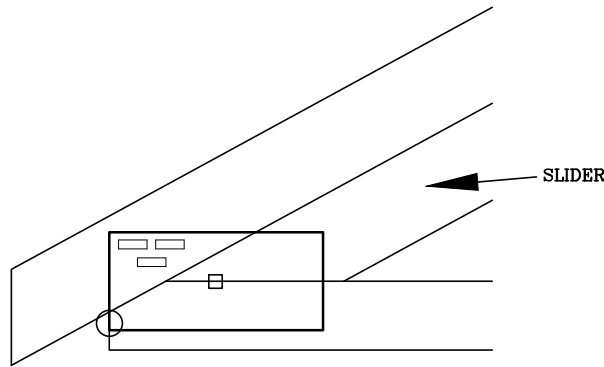
B1

PLATE CENTERED VERTICALLY ON SCARF AND HELD FLUSH WITH END OF BOTTOM CHORD.



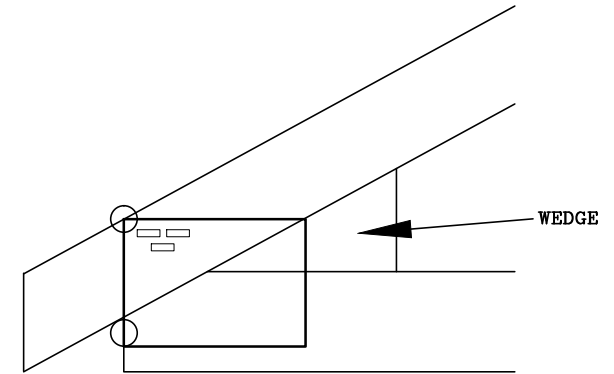
B2

PLATE CENTERED VERTICALLY ON TOP EDGE OF BOTTOM CHORD AND HELD FLUSH WITH END OF BOTTOM CHORD.



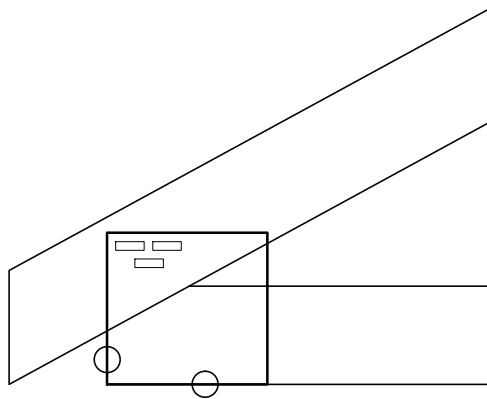
B3

PLATE CORNER HELD AT TOP OF TOP CHORD AND HELD FLUSH WITH END OF BOTTOM CHORD.



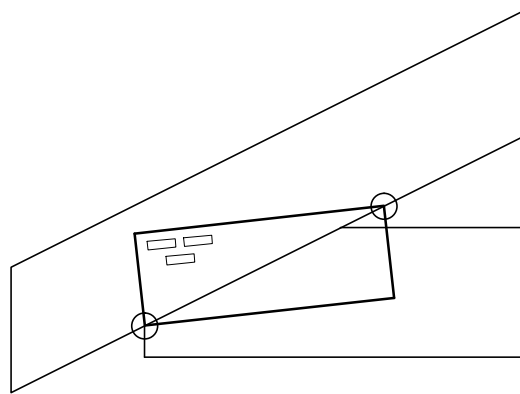
B4

PLATE HELD FLUSH WITH BOTTOM OF BOTTOM CHORD AND END OF BOTTOM CHORD.



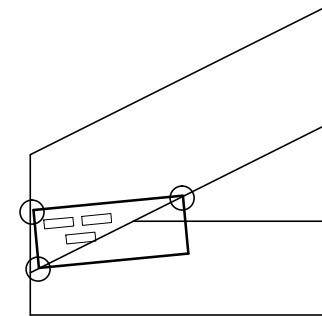
B5R

WITH OVERHANG.
PLATE IS ROTATED SUCH THAT OPPOSITE CORNERS OF PLATE ARE ON BOTTOM EDGE OF TOP CHORD. PLATE WILL EXTEND PAST SCARF.



B6R

WITHOUT OVERHANG.
ONE PLATE CORNER HELD AT END OF TOP CHORD.
PLATE IS ROTATED SUCH THAT OPPOSITE CORNERS OF PLATE ARE ON BOTTOM EDGE OF TOP CHORD. PLATE WILL EXTEND PAST SCARF.



155 Harlem Ave
North Building, 4th Floor
Glenview, IL 60025

NOTES:
WEDGE/SLIDER MAY BE REQUIRED AS SPECIFIED ON SEALED DESIGN.
○ LOCATES PLATE CORNER OR FLUSH EDGE.
□ LOCATES PLATE CENTER.

NON-STANDARD HEEL

160
B

B1 THROUGH B6R

DATE 10/01/14