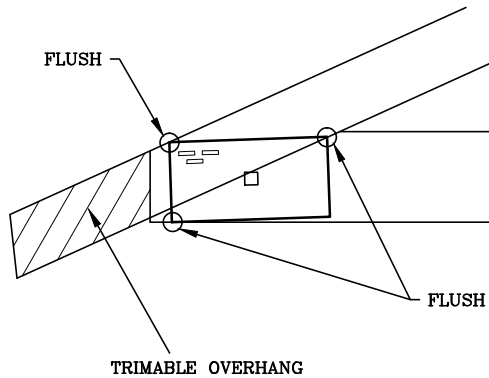


HEEL JOINT PLATE LOCATION DETAILS

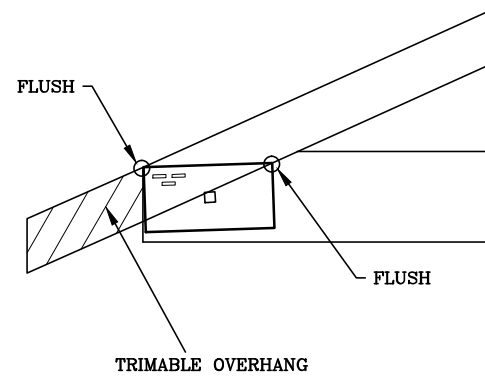
A7RT

LEFT SIDE OF PLATE CORNERS
FLUSH TO TOP AND BOTTOM CHORD.
UPPER RIGHT CORNER OF PLATE
FLUSH TO SCARF.



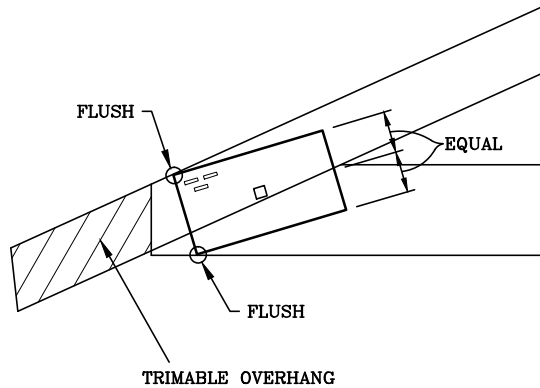
A8RT

UPPER RIGHT CORNER OF PLATE FLUSH TO
SCARF ALONG SCARF.
UPPER LEFT CORNER OF PLATE FLUSH TO
TOP OF HEEL.



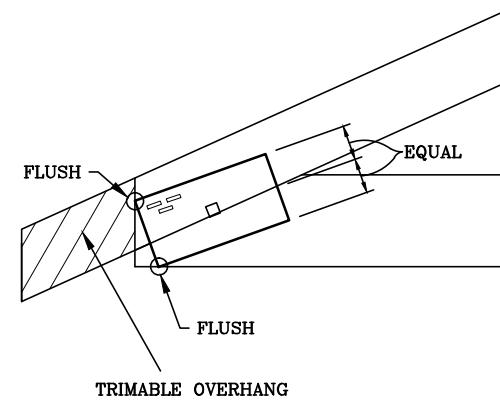
A9RT

LEFT SIDE OF PLATE CORNERS FLUSH TO TOP
AND BOTTOM CHORD.
RIGHT SIDE OF PLATE SYMMETRICAL TO SCARF.



A10RT

RIGHT SIDE OF PLATE SYMMETRICAL TO SCARF.
LEFT SIDE OF PLATE FLUSH TO HEEL
AND BOTTOM CHORD.



155 Harlem Ave
North Building, 4th Floor
Glenview, IL 60025

NOTES:
ALL PLATES ARE CENTERED VERTICALLY ON SCARF.
○ LOCATES PLATE CORNER OR FLUSH EDGE.
□ LOCATES PLATE CENTER.
+ LOCATES CENTER OF SCARF.

STANDARD HEEL

160
AT

A7RT THROUGH A10RT

DATE 10/01/14