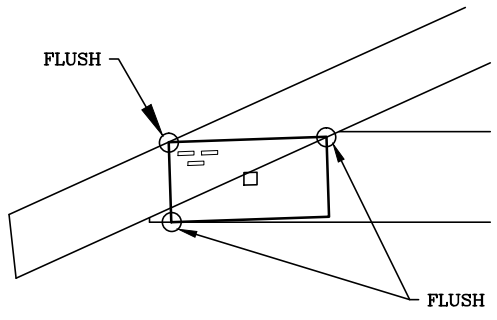


# HEEL JOINT PLATE LOCATION DETAILS

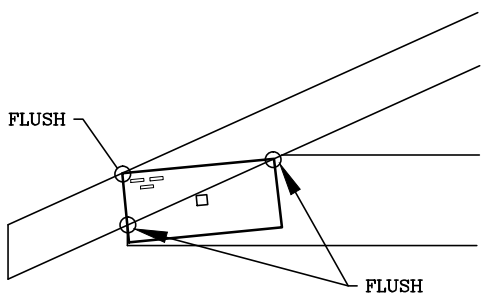
**A7R**

LEFT SIDE OF PLATE CORNERS FLUSH TO TOP AND BOTTOM CHORD  
UPPER RIGHT CORNER OF PLATE FLUSH TO SCARF

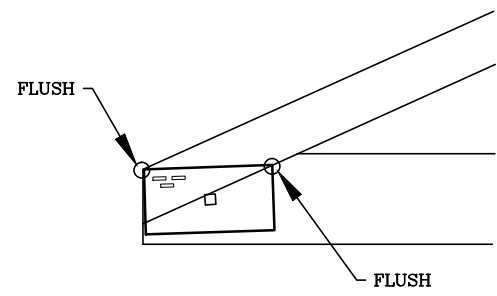


**A8R**

UPPER RIGHT CORNER OF PLATE FLUSH TO SCARF ALONG SCARF.

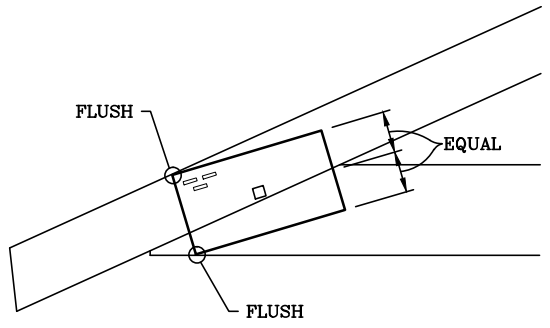


WITH OVERHANG:  
LEFT SIDE OF PLATE FLUSH TO TOP CHORD AND LEFT SIDE OF SCARF.  
  
WITHOUT OVERHANG:  
UPPER LEFT CORNER OF PLATE FLUSH TO TOP OF HEEL.



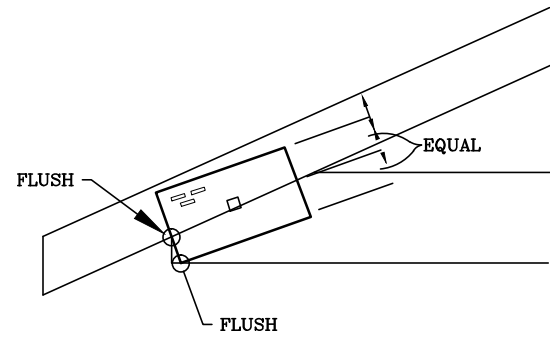
**A9R**

LEFT SIDE OF PLATE CORNERS FLUSH TO TOP AND BOTTOM CHORD  
RIGHT SIDE OF PLATE SYMMETRICAL TO SCARF

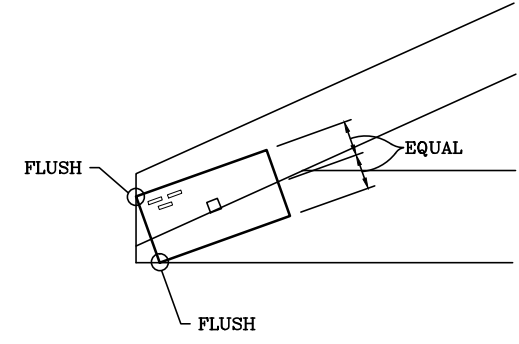


**A10R**

RIGHT SIDE OF PLATE SYMMETRICAL TO SCARF.



WITH OVERHANG:  
LEFT SIDE OF PLATE FLUSH TO BOTTOM CHORD AND LEFT SIDE OF SCARF.  
  
WITHOUT OVERHANG:  
LEFT SIDE OF PLATE FLUSH TO HEEL AND BOTTOM CHORD



155 Harlem Ave  
North Building, 4th Floor  
Glenview, IL 60025

NOTES:  
ALL PLATES ARE CENTERED VERTICALLY ON SCARF.  
○ LOCATES PLATE CORNER OR FLUSH EDGE.  
□ LOCATES PLATE CENTER.  
+ LOCATES CENTER OF SCARF.

STANDARD HEEL

160  
A

A7R THROUGH A10R

DATE 10/01/14