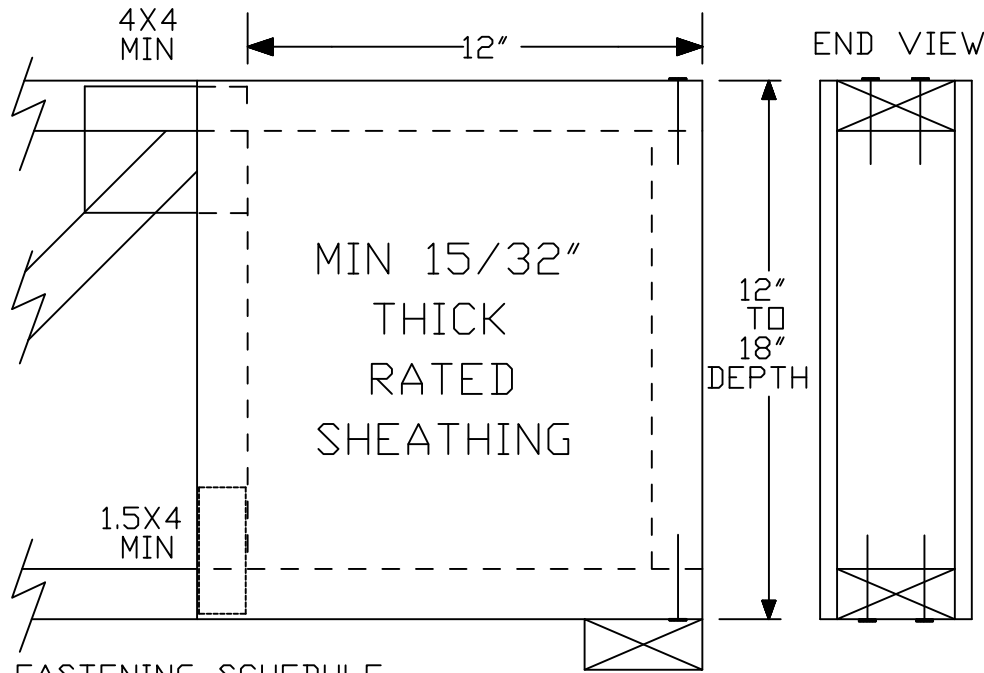


STRUCTURAL PANEL TRIMMABLE END DETAIL



FASTENING SCHEDULE

- 1) ATTACH END VERTICAL TO TOP AND BOTTOM CHORDS WITH (2) 10d COMMON (0.148" x 3") NAILS.
- 2) SHEATHING MUST BE FASTENED ON EACH SIDE OF TRUSS WITH EVENLY DISTRIBUTED 8d COMMON (0.131" x 2 1/2") OR GUN (0.113" x 2 1/2") NAILS, OR 16 GAGE POWER-DRIVEN (2" LEG, 1/2" CROWN) STAPLES IN ACCORDANCE WITH THE TABLE BELOW.
- 3) NUMBER OF NAILS BASED ON 26' SPAN.

	NAILS REQUIRED PER FACE IN					
	EACH CHORD			EACH VERTICAL		
	8d COMMON (0.131"x 2 1/2")	8d GUN (0.113"x 2 1/2")	16 GAGE STAPLE (2" LEG, 1/2" CROWN)	8d COMMON (0.131"x 2 1/2")	8d GUN (0.113"x 2 1/2")	16 GAGE STAPLE (2" LEG, 1/2" CROWN)
SP	10	13	17	9	12	15
DF	11	13	17	9	12	15
HF	11	14	19	10	13	17
SPF	11	14	19	10	13	17

THIS TRUSS DETAIL APPLIES TO 4X2 AND 3X2 TRUSSES ONLY.

MAXIMUM SPAN NOT TO EXCEED 26'.

THIS TRUSS END MAY BE TRIMMED UP TO 12".

REFER TO ENGINEER'S SEALED DESIGN REFERENCING THIS DETAIL FOR LUMBER, PLATES, AND OTHER INFORMATION NOT SHOWN.

PERIMETER BANDS, BLOCKING, AND CONNECTIONS ARE TO BE DESIGNED BY BUILDING DESIGNER.

THE PANELS SHOWN ON THIS DETAIL MAY BE APPLIED IN THE SHOP TO BE TRIMMED IN THE FIELD, OR THE PANELS MAY BE APPLIED IN THE FIELD AFTER THE CHORDS HAVE BEEN CUT TO LENGTH.

THE END VERTICAL MUST BE REPLACED IF THE END OF THE TRUSS IS TRIMMED.

PLATE AT THE JOINT OF THE TOP CHORD AND INNER VERTICAL AT TRIMMABLE END MUST BE AT LEAST 4X4.

PLATE AT THE JOINT OF THE BOTTOM CHORD AND INNER VERTICAL AT TRIMMABLE END MUST BE AT LEAST 1.5X4.

THE END PANELS ON THE TRIMMABLE END DESIGN DRAWING MAY BE REPLACED WITH THIS DETAIL.

MAX LOADING IS 110 PLF.

WARNING READ AND FOLLOW ALL NOTES ON THIS DRAWING ***IMPORTANT*** FURNISH THIS DRAWING TO ALL CONTRACTORS INCLUDING THE INSTALLERS.

Trusses require extreme care in fabricating, handling, shipping, installing and bracing. Refer to and follow the latest edition of BCSI (Building Component Safety Information, by TPI and SBCA) for safety practices prior to performing these functions. Installers shall provide temporary bracing per BCSI. Unless noted otherwise, top chord shall have properly attached structural sheathing and bottom chord shall have a properly attached rigid ceiling. Locations shown for permanent lateral restraint of webs shall have bracing installed per BCSI sections B3, B7 or B10, as applicable. Apply plates to each face of truss and position as shown above and on the Joint Details, unless noted otherwise. Refer to drawings 150A-Z for standard plate positions.

Alpine, a division of ITW Building Components Group Inc. shall not be responsible for any deviation from this drawing, any failure to build the truss in conformance with ANSI/TPI 1, or for handling, shipping, installation & bracing of trusses.

A seal on this drawing or cover page listing this drawing, indicates acceptance of professional engineering responsibility solely for the design shown. The suitability and use of this drawing for any structure is the responsibility of the Building Designer per ANSI/TPI 1 Sec.2.

For more information see this Job's general notes page and these web sites:
ALPINE: www.alpineitw.com; TPI: www.tpinst.org; SBCA: www.sbcacomponents.com; ICC: www.iccsafe.org



514 Earth City Expressway
Suite 242
Earth City, MO 63045

TC LL	40 PSF	REF TRIMMABLE ENDS
TC DL	10 PSF	DATE 10/01/14
BC DL	5 PSF	DRWG TRIMPANL1014
BC LL	0 PSF	
TOT. LD.	55 PSF	
DUR. FAC.	1.00	
SPACING	24.0"	