

H - BRACE DETAIL

FOR TRUSSES ATTACHED TO EITHER SIDE OF A 6x_ OR 8x_ POST IN A POST-FRAME STRUCTURE, REINFORCING MEMBERS AS SHOWN BELOW MAY BE USED TO ELIMINATE OR MINIMIZE ROWS OF CONTINUOUS LATERAL BRACING.

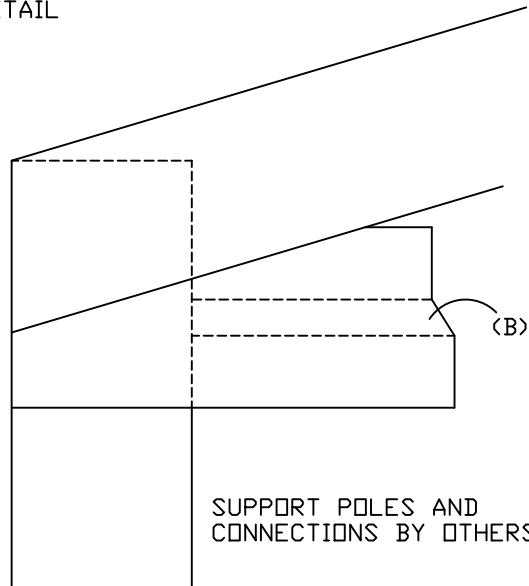
REFER TO ENGINEERED TRUSS DESIGN FOR SPECIFIC PARAMETERS SUCH AS SPAN, LIVE AND DEAD LOADS, ETC.

(B) 2x6 DF-L #2 OR BETTER CONTINUOUS REINFORCING MEMBER. ATTACH TO EACH TRUSS PLY WITH 10d BOX NAILS (0.128"x3") AT 6" O.C.

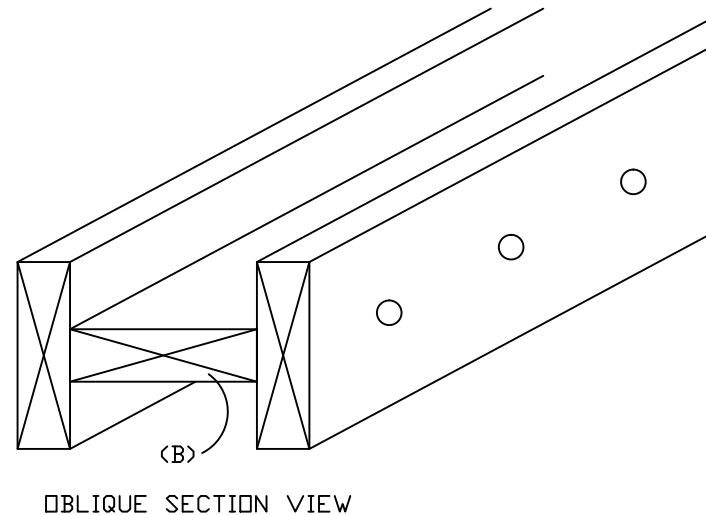
ALTERNATE WEB BRACE: AS AN ALTERNATE TO ONE OR TWO ROWS OF CONTINUOUS LATERAL BRACING SPECIFIED ON A WEB ON THE ENGINEERED DESIGN, APPLY 2x6 OR 2x8 DF-L #2 OR BETTER CONTINUOUS REINFORCING MEMBER, MATCHING SIZE TO GAP BETWEEN TRUSSES. ATTACH FULL-LENGTH BLOCK TO EACH TRUSS PLY WITH 10d BOX NAILS (0.128"x3") AT 6" O.C.

BOTTOM CHORD BRACING: SEE ENGINEERED TRUSS DESIGN FOR USE OF THIS DETAIL TO INCREASE SPACING BETWEEN ROWS OF BOTTOM CHORD LATERAL BRACES. APPLY 2x6 OR 2x8 DF-L #2 OR BETTER CONTINUOUS REINFORCING MEMBER, MATCHING SIZE TO GAP BETWEEN TRUSSES. ATTACH TO EACH TRUSS PLY WITH 10d BOX NAILS (0.128"x3") AT 6" O.C. BUTT ENDS OF REINFORCING MEMBERS AT PURLINS ATTACHMENT LOCATIONS.

HEEL DETAIL



WEB OR BOTTOM CHORD



SUPPORT POLES AND CONNECTIONS BY OTHERS.

OBLIQUE SECTION VIEW

WARNING: READ AND FOLLOW ALL NOTES ON THIS DRAWING! IMPORTANT: FURNISH THIS DRAWING TO ALL CONTRACTORS INCLUDING THE INSTALLERS.

Trusses require extreme care in fabricating, handling, shipping, installing and bracing. Refer to and follow the latest edition of BCSI (Building Component Safety Information, by TPI and SBCA) for safety practices prior to performing these functions. Installers shall provide temporary bracing per BCSI. Unless noted otherwise, top chord shall have properly attached structural sheathing and bottom chord shall have a properly attached rigid ceiling. Locations shown for permanent lateral restraint of webs shall have bracing installed per BCSI sections B3, B7 or B10, as applicable. Apply plates to each face of truss and position as shown above and on the Joint Details, unless noted otherwise. Refer to drawings 160A-Z for standard plate positions.

Alpine, a division of ITW Building Components Group Inc. shall not be responsible for any deviation from this drawing, any failure to build the truss in conformance with ANSI/TPI 1, or for handling, shipping, installation & bracing of trusses.

A seal on this drawing or cover page listing this drawing, indicates acceptance of professional engineering responsibility solely for the design shown. The suitability and use of this drawing for any structure is the responsibility of the Building Designer per ANSI/TPI 1 Sec.2.

For more information see this Job's general notes page and these web sites:
ALPINE: www.alpineitw.com; TPI: www.tpinst.org; SBCA: www.sbcacomponents.com; ICC: www.iccsafe.org



514 Earth City Expressway
Suite 242
Earth City, MO 63045

TC LL	PSF	REF	H-BRACE
TC DL	PSF	DATE	10/01/14
BC DL	PSF	DRWG	HBRACE1014
BC LL	PSF		
TOT. LD.	PSF		