

# Lateral Bracing of Gable Studs Applied to One Ply of Multiple Ply Truss

## ASCE 7-16: 200 mph Wind Speed, 15' Mean Height, Enclosed, Exposure D, Kzt = 1.00

Refer to the tables below for maximum allowable unbraced gable stud lengths and their minimum required connector plate sizes.

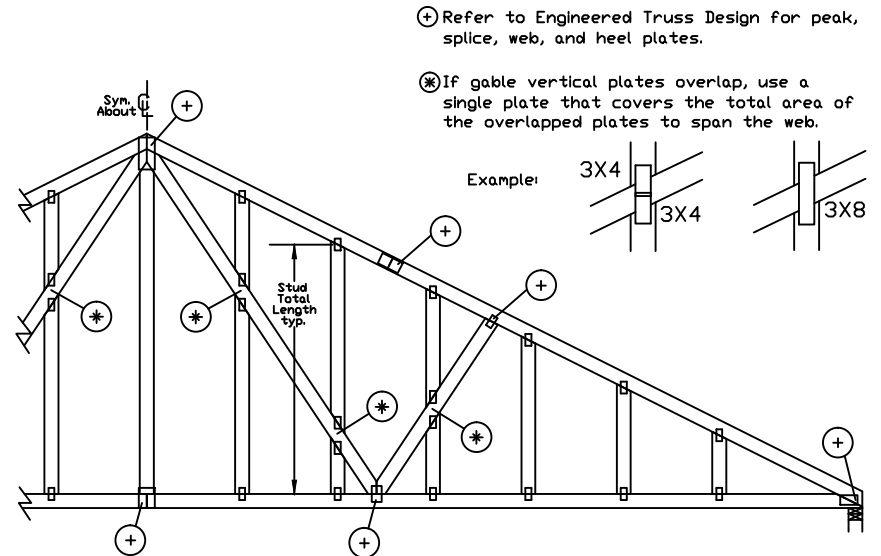
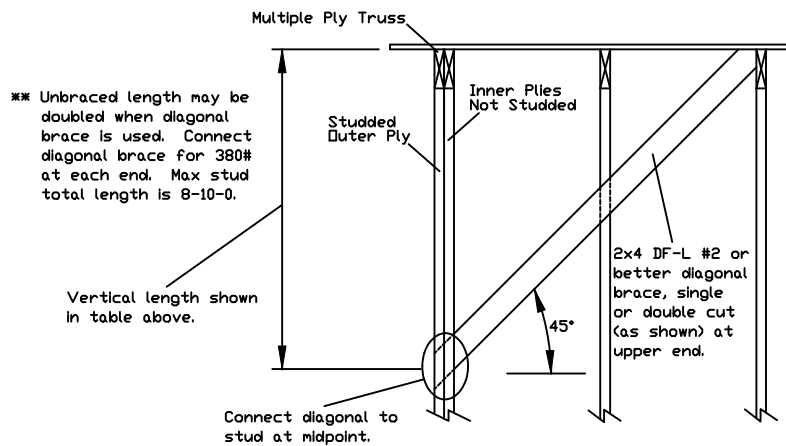
Provide connections for uplifts specified on engineered truss design.

Refer to the Building Designer for conditions not addressed by this detail.

Stud Material		Flexible Cladding L/180 Deflection			Brittle Cladding L/240 Deflection			Stucco Cladding L/360 Deflection		
		Stud Spacing			Stud Spacing			Stud Spacing		
Species	Grade	24"o.c.	16"o.c.	12"o.c.	24"o.c.	16"o.c.	12"o.c.	24"o.c.	16"o.c.	12"o.c.
SPF HF	#1 / #2	3' 4"	3' 10"	4' 3"	3' 0"	3' 6"	3' 10"	2' 8"	3' 0"	3' 4"
	#3	3' 1"	3' 8"	4' 0"	2' 11"	3' 4"	3' 8"	2' 6"	2' 11"	3' 2"
	Stud	3' 1"	3' 8"	4' 0"	2' 11"	3' 4"	3' 8"	2' 6"	2' 11"	3' 2"
	Standard	2' 8"	3' 3"	3' 9"	2' 8"	3' 3"	3' 8"	2' 6"	2' 11"	3' 2"
SP DFL	#1	3' 6"	4' 0"	4' 5"	3' 2"	3' 8"	4' 0"	2' 9"	3' 2"	3' 6"
	#2	3' 4"	3' 10"	4' 3"	3' 0"	3' 6"	3' 10"	2' 8"	3' 0"	3' 4"
	#3	2' 11"	3' 6"	4' 1"	2' 11"	3' 5"	3' 9"	2' 7"	3' 0"	3' 3"
	Stud	2' 11"	3' 6"	4' 1"	2' 11"	3' 5"	3' 9"	2' 7"	3' 0"	3' 3"
	Standard	2' 6"	3' 0"	3' 6"	2' 6"	3' 0"	3' 6"	2' 6"	2' 11"	3' 2"

Minimum Stud Plate Size	
Stud Length	Plate Size
Up to 3' 0"	3X4
Greater than 3' 0"	4X4



514 Earth City Expressway  
Suite 242  
Earth City, MO 63045

**WARNING: READ AND FOLLOW ALL NOTES ON THIS DRAWING!**  
**IMPORTANT: FURNISH THIS DRAWING TO ALL CONTRACTORS INCLUDING THE INSTALLERS.**

Trusses require extreme care in fabricating, handling, shipping, installing and bracing. Refer to and follow the latest edition of BCSI (Building Component Safety Information, by TPI and SBCA) for safety practices prior to performing these functions. Installers shall provide temporary bracing per BCSI. Unless noted otherwise, top chord shall have properly attached structural sheathing and bottom chord shall have a properly attached rigid ceiling. Locations shown for permanent lateral restraint of webs shall have bracing installed per BCSI sections B3, B7 or B10, as applicable. Apply plates to each face of truss and position as shown above and on the Joint Details, unless noted otherwise. Refer to drawings 160A-Z for standard plate positions.

Alpine, a division of ITW Building Components Group Inc. shall not be responsible for any deviation from this drawing, any failure to build the truss in conformance with ANSI/TPI 1, or for handling, shipping, installation & bracing of trusses.

A seal on this drawing or cover page listing this drawing, indicates acceptance of professional engineering responsibility solely for the design shown. The suitability and use of this drawing for any structure is the responsibility of the Building Designer per ANSI/TPI 1 Sec.2.

For more information see this Job's general notes page and these web sites:  
 ALPINE: [www.alpineitw.com](http://www.alpineitw.com); TPI: [www.tpinst.org](http://www.tpinst.org); SBCA: [www.sbcacomponents.com](http://www.sbcacomponents.com); ICC: [www.iccsafe.org](http://www.iccsafe.org)

REF ASCE7-16-G1P20015  
 DATE 08/31/2020  
 DRWG G1P20015160920