

Deck Connection Detail for 1500# Load Perpendicular to Trusses For Connection to Blocking Between Trusses

Solid Sawn or Structural Composite Lumber – 1.5" min breadth with depth equal to the floor truss height, and length cut to fit snug between the trusses. Blocking material must have a minimum specific gravity of 0.42 for specified fastener connections.

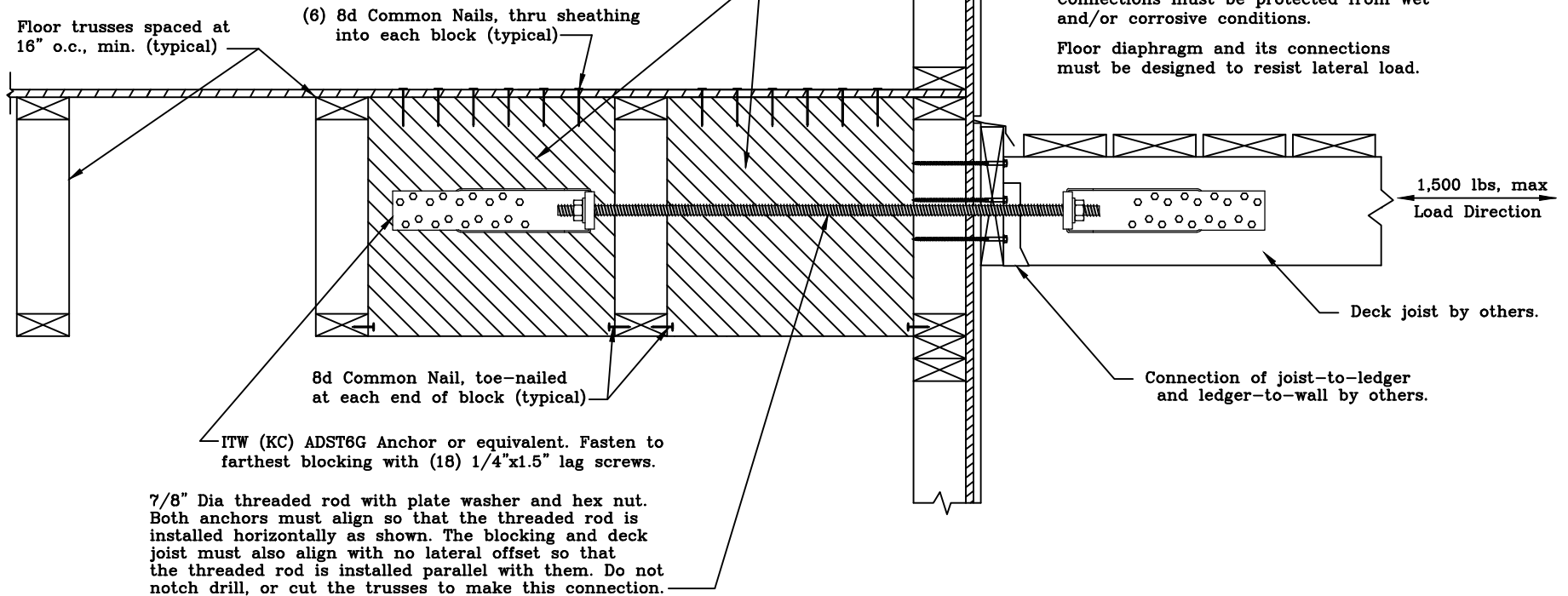
Apply all blocking perpendicular to the trusses, aligned so that the face for hardware connection is flush with the face of the deck joist. Blocking must extend into the floor trusses for at least two truss spaces and be fastened to the floor sheathing with at least (6) 8d common (0.131"x2.5", min) nails per block. Sheathing must be 23/32" Rated Sheathing. Attach each block into the bottom chord of each truss at each end with (1) 8d common (0.131"x2.5", min) nail, toe-nailed.

1500-lb lateral load connection required in two deck locations as per IRC, resulting from short-term loading on the deck from wind or seismic forces, or from occupants moving around.

Connections designed for lumber having a Specific Gravity of 0.42 or greater and for sheathing having a Specific Gravity of 0.50 or greater.

Connections must be protected from wet and/or corrosive conditions.

Floor diaphragm and its connections must be designed to resist lateral load.



WARNING: READ AND FOLLOW ALL NOTES ON THIS DRAWING
IMPORTANT: FURNISH THIS DRAWING TO ALL CONTRACTORS INCLUDING THE INSTALLERS.

Trusses require extreme care in fabricating, handling, shipping, installing and bracing. Refer to and follow the latest edition of BCSI (Building Component Safety Information, by TPI and SBCA) for safety practices prior to performing these functions. Installers shall provide temporary bracing per BCSI. Unless noted otherwise, top chord shall have properly attached structural sheathing and bottom chord shall have a properly attached rigid ceiling. Locations shown for permanent lateral restraint of webs shall have bracing installed per BCSI sections B3, B7 or B10, as applicable. Apply plates to each face of truss and position as shown above and on the Joint Details, unless noted otherwise. Refer to drawings 160A-Z for standard plate positions.

Alpine, a division of ITW Building Components Group Inc. shall not be responsible for any deviation from this drawing, any failure to build the truss in conformance with ANSI/TPI 1, or for handling, shipping, installation & bracing of trusses.

A seal on this drawing or cover page listing this drawing, indicates acceptance of professional engineering responsibility solely for the design shown. The suitability and use of this drawing for any structure is the responsibility of the Building Designer per ANSI/TPI 1 Sec.2.

For more information see this Job's general notes page and these web sites:
ALPINE: www.alpineitw.com; TPI: www.tpinet.org; SBCA: www.sbcacomponents.com; ICC: www.iccsafe.org



514 Earth City Expressway
Suite 242
Earth City, MO 63045

TC LL	PSF	REF	---
TC DL	PSF	DATE	10/01/14
BC DL	PSF	DRWG	CNPERP1014
BC LL	PSF	-ENG	
TOT. LD.	PSF		
DUR. FAC.			
SPACING			