

Removed Section in SY42 Top or Bottom Chord Repair Detail

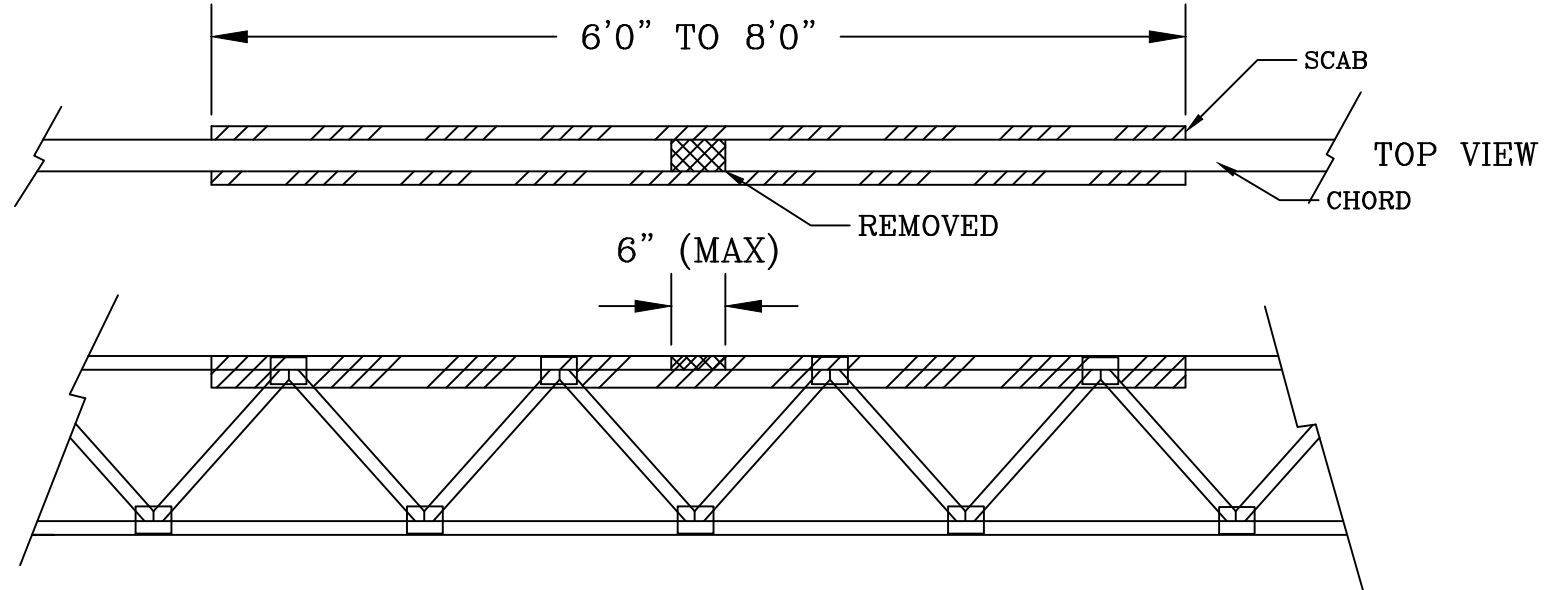
This drawing specifies repair of SY42 truss with maximum 6" section removed in top or bottom chord.

The use of this detail is only acceptable for maximum 6" chord section removed and truss meeting these requirements:

- *Single ply SY42 truss.
- *Section removed not to be in chase area.
- *Connector plates have not been cut or removed.
- *Chord shall be free of lumber defects for 12" to each side of removed section.
- *Only one section removed permitted per truss.

Scab Attachment and Requirements

- *2x4 scabs fastened to each face of truss, centered on location of removed section. Refer to "MAXIMUM ALLOWABLE FORCE AT REMOVED SECTION" chart for required scab length.
- *Scabs shall be same species and grade or better as cut chord
- *Fasten scabs using an AFG-01 adhesive (e.g. PL 400) with surfaces prepared per adhesive manufacturer's specs.
- *Scabs shall not be used as ledger to support tie in loads.
- *Nail scabs using 10d(0.131"x3.0") nails in 1 row at 3" oc for full length of scabs.
- *Scabs and webs are not to be notched, drilled, or cut.



MAXIMUM ALLOWABLE CHORD FORCE AT REMOVED SECTION (LBS)		
L	6'0"	8'0"
DF	2134	2910
HF	1848	2520
SP	2332	3180
SPF	1804	2460



514 Earth City Expressway
Suite 242
Earth City, MO 63045

WARNING: READ AND FOLLOW ALL NOTES ON THIS DRAWING
IMPORTANT: FURNISH THIS DRAWING TO ALL CONTRACTORS INCLUDING THE INSTALLERS.
 Trusses require extreme care in fabricating, handling, shipping, installing and bracing. Refer to and follow the latest edition of BCSI (Building Component Safety Information, by TPI and SBCA) for safety practices prior to performing these functions. Installers shall provide temporary bracing per BCSI. Unless noted otherwise, top chord shall have properly attached structural sheathing and bottom chord shall have a properly attached rigid ceiling. Locations shown for permanent lateral restraint of webs shall have bracing installed per BCSI sections B3, B7 or B10, as applicable. Apply plates to each face of truss and position as shown above and on the Joint Details, unless noted otherwise. Refer to drawings 150A-Z for standard plate positions.
 Alpine, a division of ITW Building Components Group Inc. shall not be responsible for any deviation from this drawing, any failure to build the truss in conformance with ANSI/TPI 1, or for handling, shipping, installation & bracing of trusses.
 A seal on this drawing or cover page listing this drawing, indicates acceptance of professional engineering responsibility solely for the design shown. The suitability and use of this design for any structure is the responsibility of the Building Designer per ANSI/TPI 1 Sec.2.
 For more information see this Job's general notes page and these web sites:
 ALPINE: www.alpineitw.com; TPI: www.tpinst.org; SBCA: www.sbcindustry.org; ICC: www.iccsafe.org

TC LL	PSF	REF	---
TC DL	PSF	DATE	05/01/2020
BC DL	PSF	DRWG	REPSY42RS0520
BC LL	PSF	-ENG	
TOT. LD.	PSF		
DUR. FAC.			
SPACING			