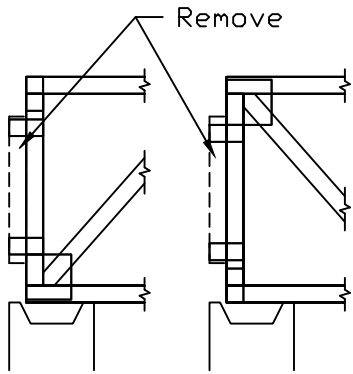


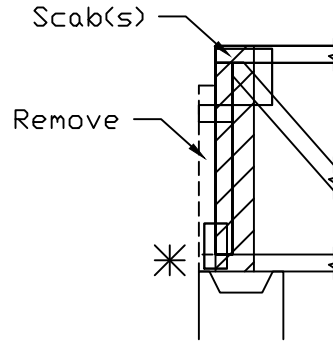
Repair Detail to Remove End Vertical (Ribbon Notch Vertical)

- This drawing specifies repair of a single ply SY42 truss to remove one end vertical block (ribbon notch block) at either end of the truss. Maximum stub length is 1.5". Truss must bear on bottom chord at this location.
- Use a sharp metal cutting saw blade to carefully remove the end block from the truss (the dashed member in the figures below). Remaining portions of the truss and Alpine plates must be free from damage.
- Remaining sections of cut connector plates (*) must be intact and fully embedded.
- Minimum bearing width of 1.5" must be present with maximum reaction as stated below.
- Contact the truss manufacturer for repair conditions that do not comply with this detail.
- Repair the truss based on the following conditions:



Condition 1 - Ribbon notches at top and bottom, diagonal web at top or bottom joint.

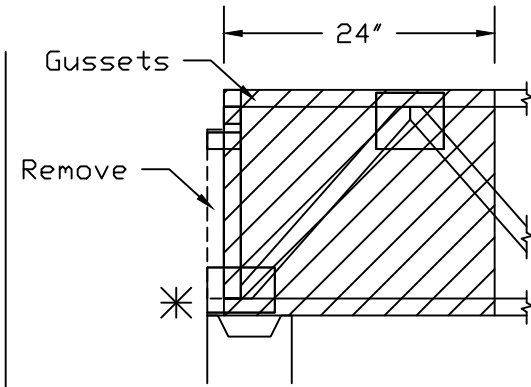
- Maximum Bearing Reaction of 2000#.
- No Repair is needed for this condition provided that all the criteria stated above are met.



Condition 2 - Ribbon notch at top, diagonal web at top joint.

- Scab(s) shall be used to repair the cut plates (*). Attach to truss with 1 row of 0.128"x3.0" min. nails @ 2" o.c. throughout all members as follows:

Maximum Bearing Reaction	2x4 Scabs Application
500#	(1) 2x4x(full truss depth) scab, #2 or better, applied to one face of truss.
1000#	(2) 2x4x(full truss depth) scabs, #2 or better. Apply one scab to each face of truss.



Condition 3 - Ribbon notch at top, diagonal web at bottom joint.

- Plywood or OSB gussets must be used to repair the cut plates (*). Gussets must be attached to each face of the truss with 1 row of 0.113"x2.5" min. nails @ 2" o.c. throughout all members as follows:

Maximum Bearing Reaction	Plywood or OSB Gusset Size
500#	7/16"x24"x(full truss depth) APA Rated Sheathing (Plywood or OSB), 24/16. EXP 1, or better.
1000#	23/32"x24"x(full truss depth) APA Rated Sheathing (Plywood or OSB), 40/20. EXP 1 or 2, or better.



514 Earth City Expressway
Suite 242
Earth City, MO 63045

WARNING: READ AND FOLLOW ALL NOTES ON THIS DRAWING!
IMPORTANT: FURNISH THIS DRAWING TO ALL CONTRACTORS INCLUDING THE INSTALLERS.
 Trusses require extreme care in fabricating, handling, shipping, installing and bracing. Refer to and follow the latest edition of BCSI (Building Component Safety Information, by TPI and SBCA) for safety practices prior to performing these functions. Installers shall provide temporary bracing per BCSI. Unless noted otherwise, top chord shall have properly attached structural sheathing and bottom chord shall have a properly attached rigid ceiling. Locations shown for permanent lateral restraint of webs shall have bracing installed per BCSI sections B3, B7 or B10, as applicable. Apply plates to each face of truss and position as shown above and on the Joint Details, unless noted otherwise. Refer to drawings 160A-Z for standard plate positions.
 Alpine, a division of ITW Building Components Group Inc. shall not be responsible for any deviation from this drawing, any failure to build the truss in conformance with ANSI/TPI 1, or for handling, shipping, installation & bracing of trusses.
 A seal on this drawing or cover page listing this drawing, indicates acceptance of professional engineering responsibility solely for the design shown. The suitability and use of this drawing for any structure is the responsibility of the Building Designer per ANSI/TPI 1 Sec.2.
 For more information see this job's general notes page and these web sites:
 ALPINE: www.alpineitw.com; TPI: www.tpinst.org; SBCA: www.sbcindustry.org; ICC: www.iccsafe.org

REF STUB SY42
 DATE 11/18/2020
 DRWG REPSY42EV1120