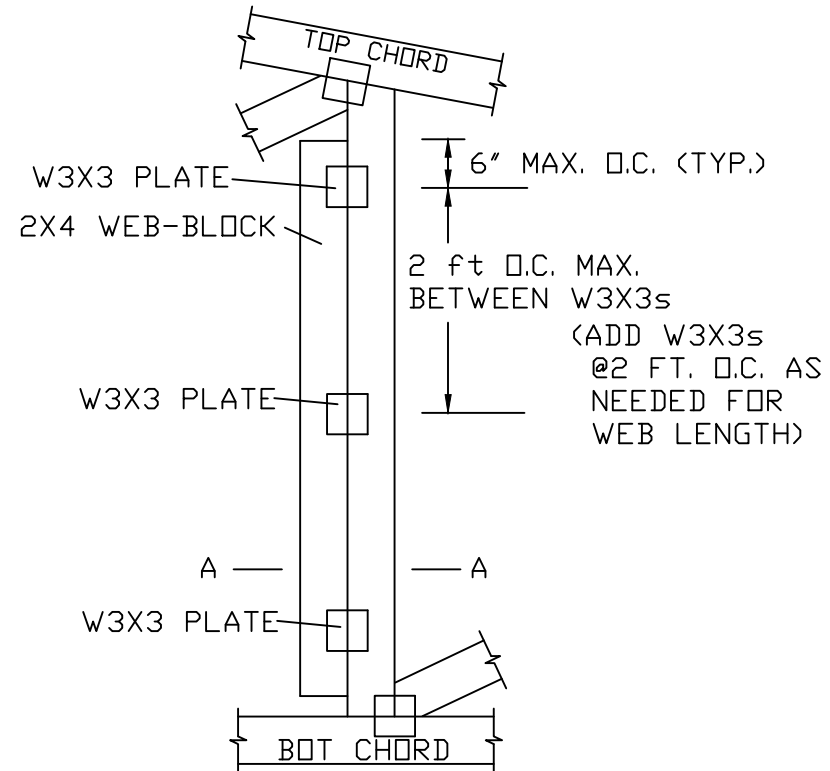
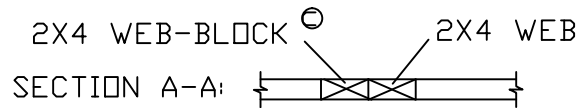


2x4 WEB WITH WEB-BLOCK[®]

REFER TO ENGINEER'S SEALED TRUSS DESIGN DRAWING FOR LUMBER, PLATES AND OTHER INFORMATION NOT SHOWN BELOW.

PLATES FASTENING WEB-BLOCK TO WEB SHALL BE W3X3 OR LARGER. PLATE POSITIONING TOLERANCES ON WEB-BLOCKS SHALL BE PERMITTED TO BE VARIED UP TO 6 INCHES FROM GIVEN POSITIONS, EXCEPT THAT PLATES AT THE END OF THE WEB-BLOCK MUST BE WITHIN 6 INCHES OF THE END OF THE WEB-BLOCK.



**WARNING: READ AND FOLLOW ALL NOTES ON THIS DRAWING!
IMPORTANT: FURNISH THIS DRAWING TO ALL CONTRACTORS INCLUDING THE INSTALLERS.**

Trusses require extreme care in fabricating, handling, shipping, installing and bracing. Refer to and follow the latest edition of BCSI (Building Component Safety Information, by TPI and SBCA) for safety practices prior to performing these functions. Installers shall provide temporary bracing per BCSI. Unless noted otherwise, top chord shall have properly attached structural sheathing and bottom chord shall have a properly attached rigid ceiling. Locations shown for permanent lateral restraint of webs shall have bracing installed per BCSI sections B3, B7 or B10, as applicable. Apply plates to each face of truss and position as shown above and on the Joint Details, unless noted otherwise. Refer to drawings 160A-Z for standard plate positions.

Alpine, a division of ITW Building Components Group Inc. shall not be responsible for any deviation from this drawing, any failure to build the truss in conformance with ANSI/TPI 1, or for handling, shipping, installation & bracing of trusses.

A seal on this drawing or cover page listing this drawing, indicates acceptance of professional engineering responsibility solely for the design shown. The suitability and use of this drawing for any structure is the responsibility of the Building Designer per ANSI/TPI 1 Sec.2.

For more information see this Job's general notes page and these web sites:
ALPINE: www.alpineitw.com; TPI: www.tpinst.org; SBCA: www.sbcindustry.org; ICC: www.iccsafe.org



514 Earth City Expressway
Suite 242
Earth City, MO 63045

REF 2x4 Web Block

DATE 10/01/14

DRWG BRWEBL0K1014