

Diagonal Bracing of Continuous Lateral Restraint

ALWAYS DIAGONALLY BRACE THE CONTINUOUS LATERAL RESTRAINT!

Attach the Continuous Lateral Restraint (CLR) at the location shown on the Truss Design Drawing.

Install the diagonal bracing at an angle of less-than-or-equal-to 45° to the CLR and position so that it crosses the web in close proximity to the CLR. Attach the diagonal brace as close to the top and bottom chords as possible and to each web it crosses.

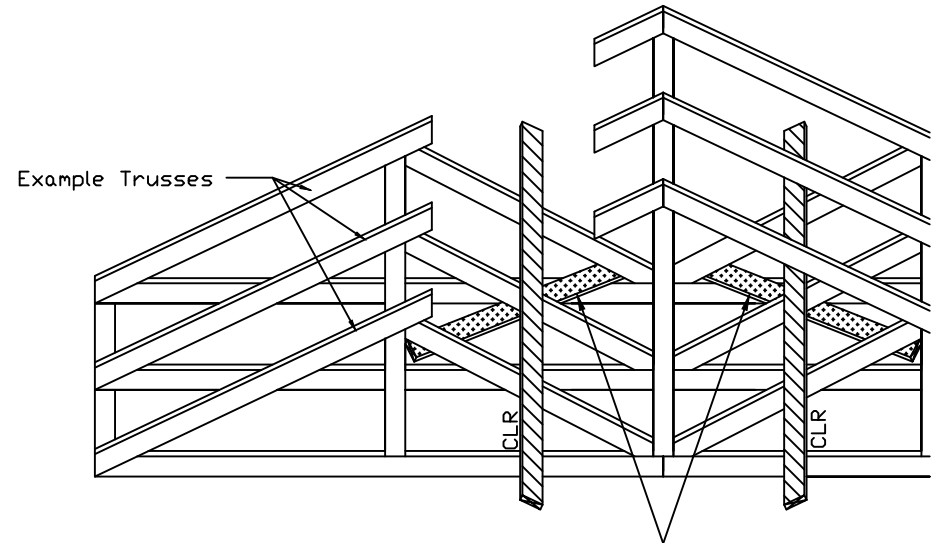
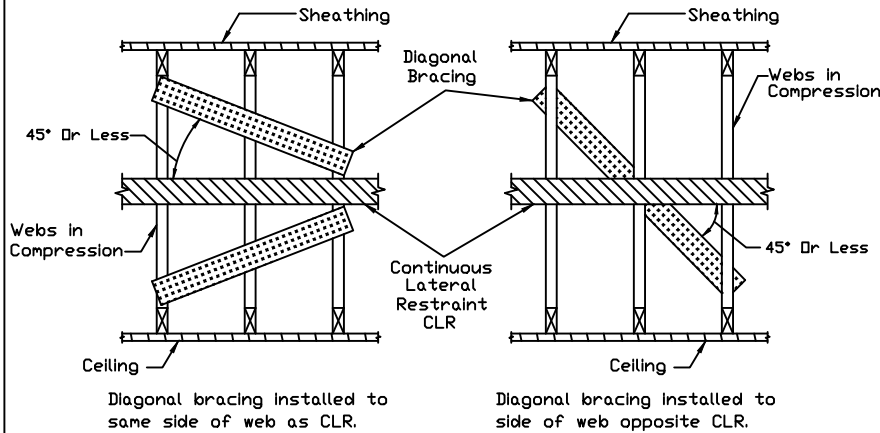
Unless otherwise specified, lumber for lateral restraint and diagonal bracing shall be at least 2x4 stress-graded lumber. Fasten to each truss with at least (2)-10d (0.128"x3.0",min) nails or as specified in the Construction Documents.

Diagonal bracing is required to restrain the CLR's and to transfer the cumulative force from the CLR(s) into a lateral force resisting system such as the roof or ceiling diaphragm. Repeat diagonal bracing every 20 feet or as specified. Closer spacing may be required by the Building Designer.

The information on this detail is recommended minimum permanent bracing applicable only for trusses spaced at a maximum of 24' on center. Additional bracing or other bracing methods as specified by the Building Designer may be required.

Refer to BCSI-B3 for additional information on permanent restraint and bracing of web members.

Examples of Diagonal Bracing with Continuous Lateral Restraint



2x4 diagonal bracing nailed to opposite face of web and repeated at approximately 20 foot intervals to resist lateral movement. Attach to webs with (2)-10d (0.128"x3.0",min) nails. Diagonal bracing may traverse more than two trusses, depending on truss height.

WARNING: READ AND FOLLOW ALL NOTES ON THIS DRAWING! IMPORTANT: FURNISH THIS DRAWING TO ALL CONTRACTORS INCLUDING THE INSTALLERS.

Trusses require extreme care in fabricating, handling, shipping, installing and bracing. Refer to and follow the latest edition of BCSI (Building Component Safety Information, by TPI and SBCA) for safety practices prior to performing these functions. Installers shall provide temporary bracing per BCSI. Unless noted otherwise, top chord shall have properly attached structural sheathing and bottom chord shall have a properly attached rigid ceiling. Locations shown for permanent lateral restraint of webs shall have bracing installed per BCSI sections B3, B7 or B10, as applicable. Apply plates to each face of truss and position as shown above and on the Joint Details, unless noted otherwise. Refer to drawings 160A-Z for standard plate positions.

Alpine, a division of ITW Building Components Group Inc. shall not be responsible for any deviation from this drawing, any failure to build the truss in conformance with ANSI/TPI 1, or for handling, shipping, installation & bracing of trusses.

A seal on this drawing or cover page listing this drawing, indicates acceptance of professional engineering responsibility solely for the design shown. The suitability and use of this drawing for any structure is the responsibility of the Building Designer per ANSI/TPI 1 Sec.2.

For more information see this Job's general notes page and these web sites:
ALPINE: www.alpineitw.com; TPI: www.tpinst.org; SBCA: www.sbcindustry.org; ICC: www.iccsafe.org



514 Earth City Expressway
Suite 242
Earth City, MO 63045

REF CLR Bracing

DATE 10/01/14

DRWG BRCLBANC1014