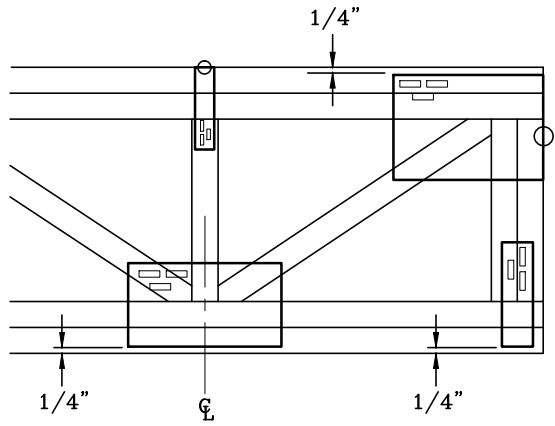
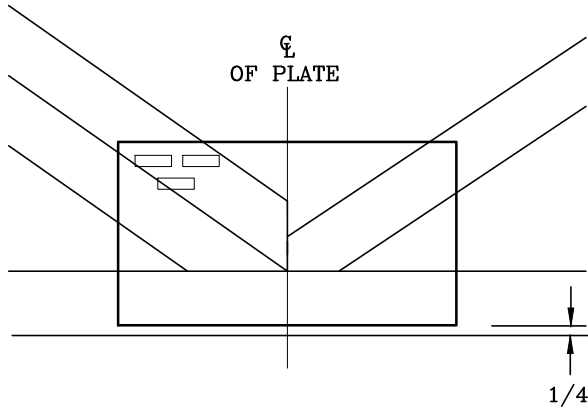


# SYSTEM 32 AND 42 PLATE LOCATION DETAILS

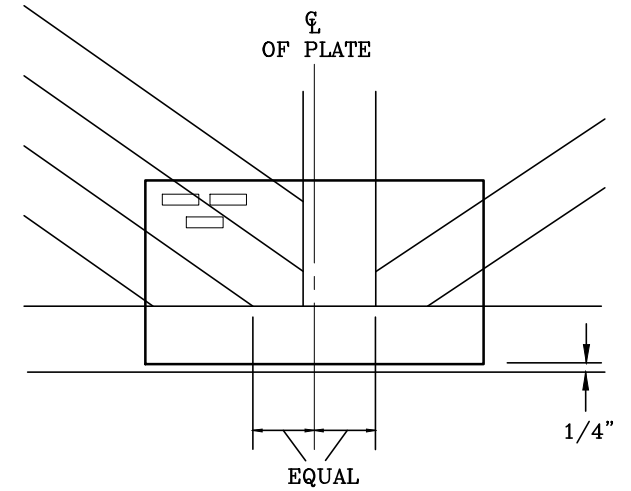
STACKED CHORDS



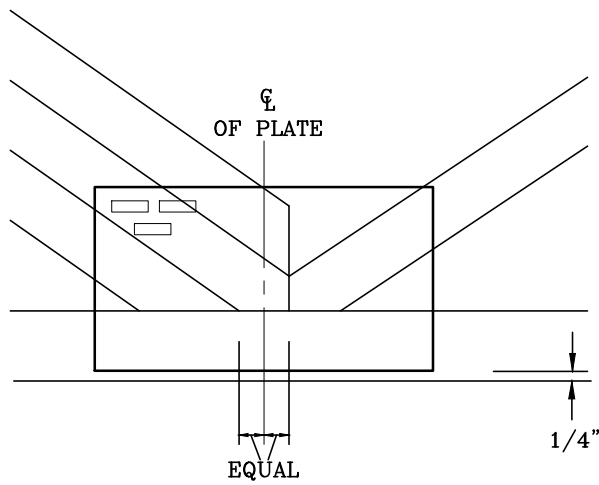
STACKED WEBS



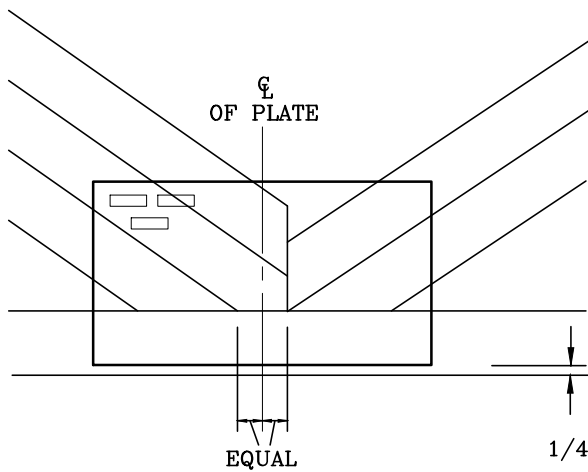
STACKED WEBS



STACKED WEBS



STACKED WEBS



NOTES:  
 NO WANE OR LOOSE KNOTS SHALL OCCUR IN PLATE CONTACT AREAS.  
 ALL PLATE POSITIONS SHOWN ARE ALSO APPLICABLE IF WEBS ARE SQUARE CUT.  
 ○ LOCATES PLATE CORNER OR FLUSH EDGE.



514 Earth City Expressway  
 Suite 242  
 Earth City, MO 63045

SYSTEM 32 AND 42

160  
Z

PAGE 3 OF 3

DATE 2/11/2019