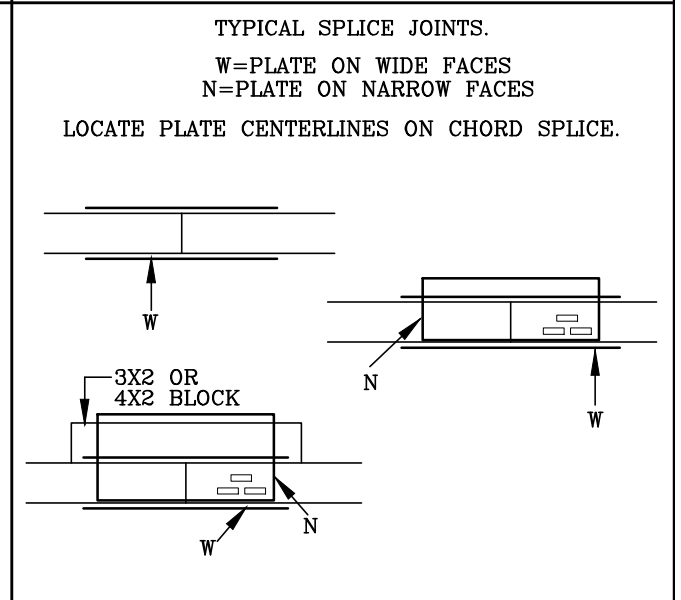
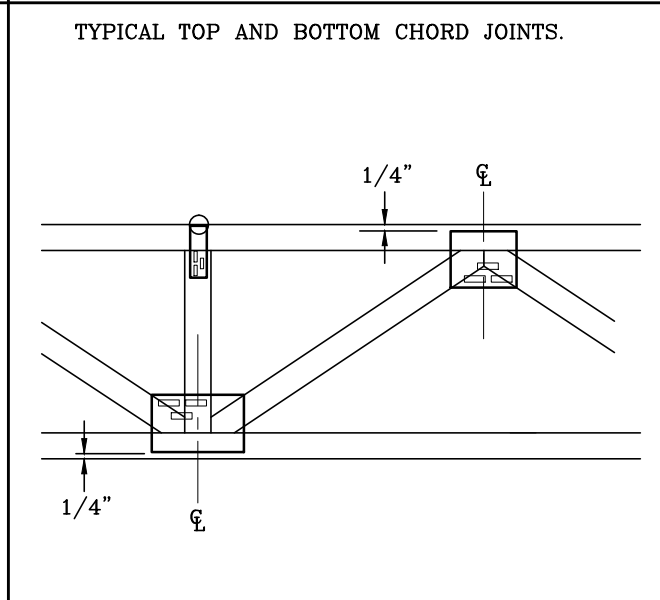
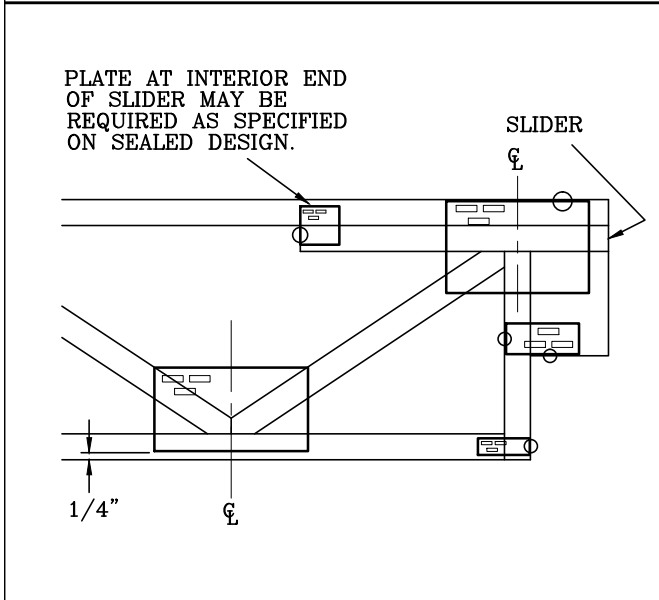
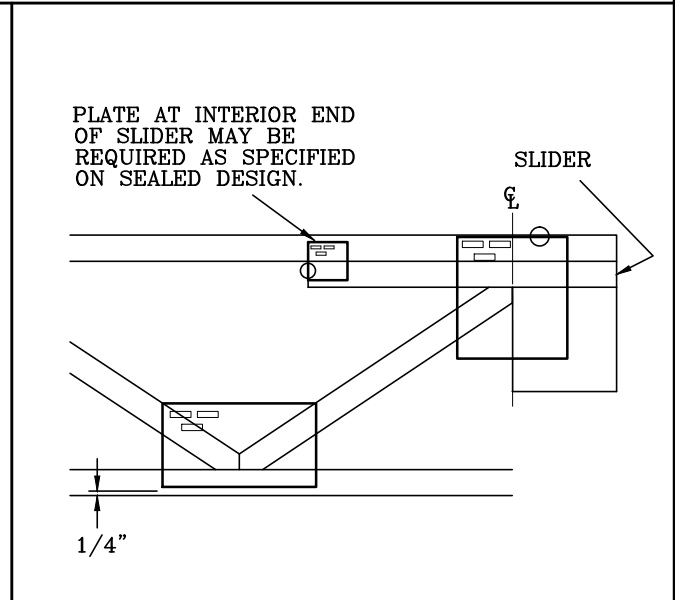
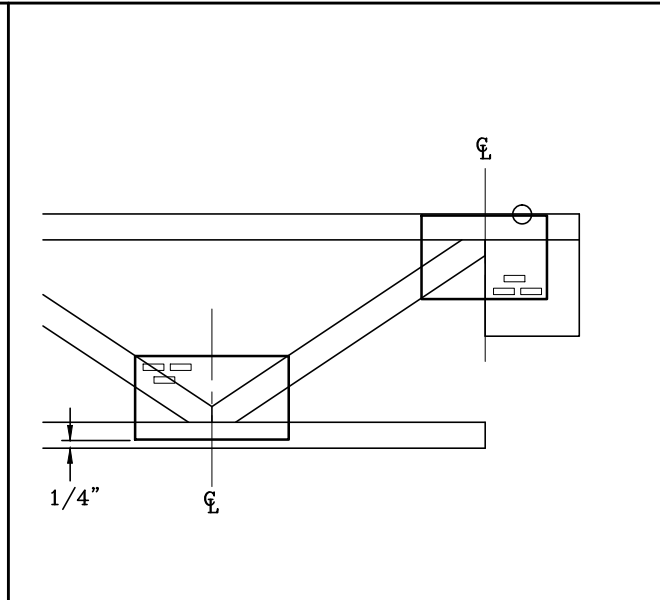
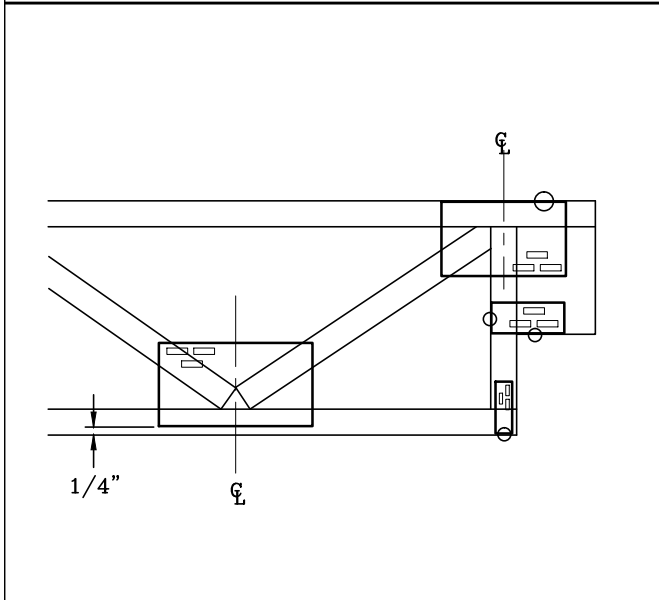


# SYSTEM 32 AND 42 PLATE LOCATION DETAILS



514 Earth City Expressway  
Suite 242  
Earth City, MO 63045

**NOTES:**  
NO WANE OR LOOSE KNOTS SHALL OCCUR IN PLATE CONTACT AREAS.  
ALL PLATE POSITIONS SHOWN ARE ALSO APPLICABLE IF WEBS ARE SQUARE CUT AND/OR A VERTICAL WEB IS LOCATED BETWEEN THE DIAGONAL WEBS (MODIFIED WARREN).  
○ LOCATES PLATE CORNER OR FLUSH EDGE.

SYSTEM 32 AND 42

# 160 Z

PAGE 2 OF 3  
DATE 10/01/14