

SYSTEM 32 AND 42 PLATE LOCATION DETAILS

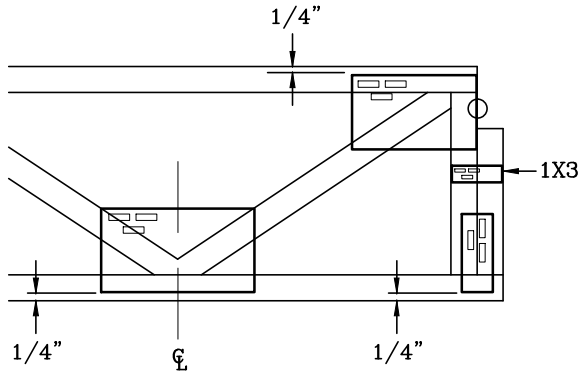


PLATE AT INTERIOR END OF SLIDER MAY BE REQUIRED AS SPECIFIED ON SEALED DESIGN.

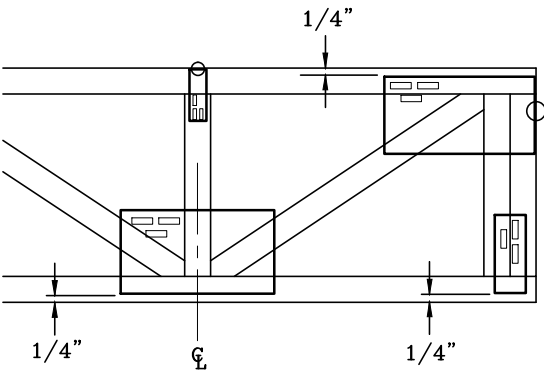
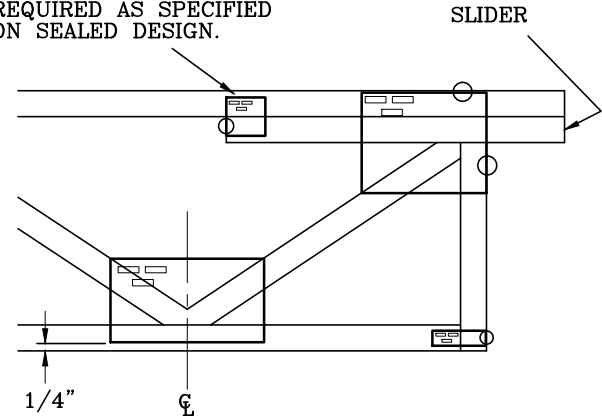
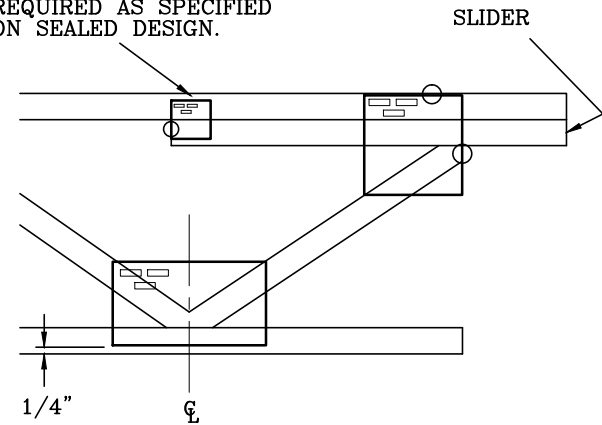


PLATE AT INTERIOR END OF SLIDER MAY BE REQUIRED AS SPECIFIED ON SEALED DESIGN.



NOTES:
 NO WANE OR LOOSE KNOTS SHALL OCCUR IN PLATE CONTACT AREAS.
 ALL PLATE POSITIONS SHOWN ARE ALSO APPLICABLE IF WEBS ARE SQUARE CUT AND/OR A VERTICAL WEB IS LOCATED BETWEEN THE DIAGONAL WEBS (MODIFIED WARREN).
 ○ LOCATES PLATE CORNER OR FLUSH EDGE.



514 Earth City Expressway
 Suite 242
 Earth City, MO 63045

SYSTEM 32 AND 42

160
Z

PAGE 1 OF 3

DATE 2/11/2019