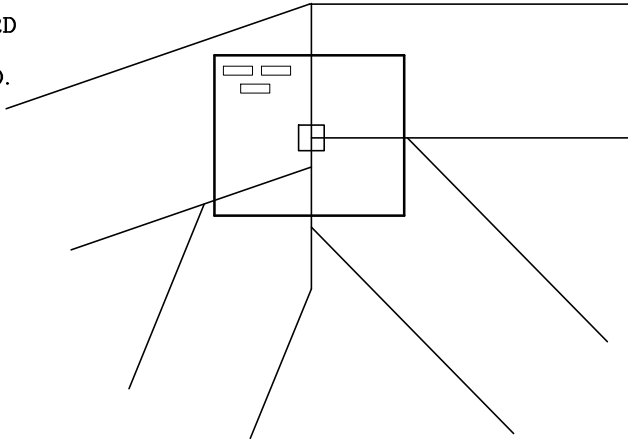


# BREAK JOINT PLATE LOCATION DETAILS

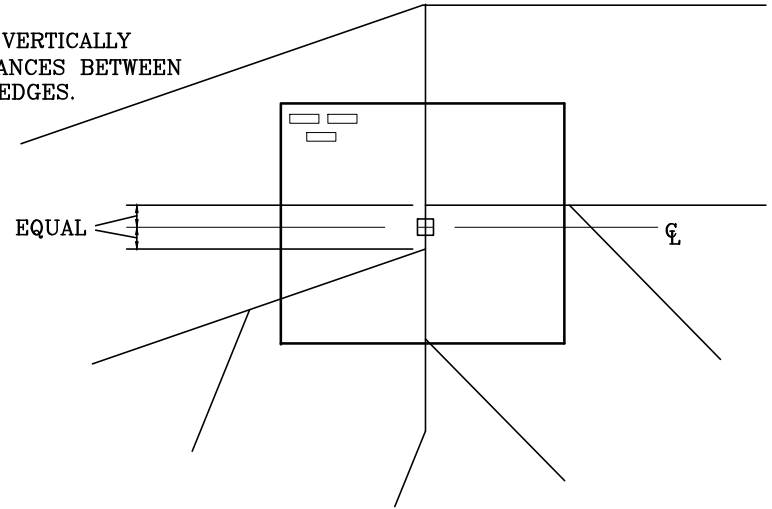
T5

CENTER PLATE VERTICALLY ON THE BOTTOM EDGE OF THE OUTERMOST TOP CHORD OR THE TOP EDGE OF THE OUTERMOST BOTTOM CHORD.



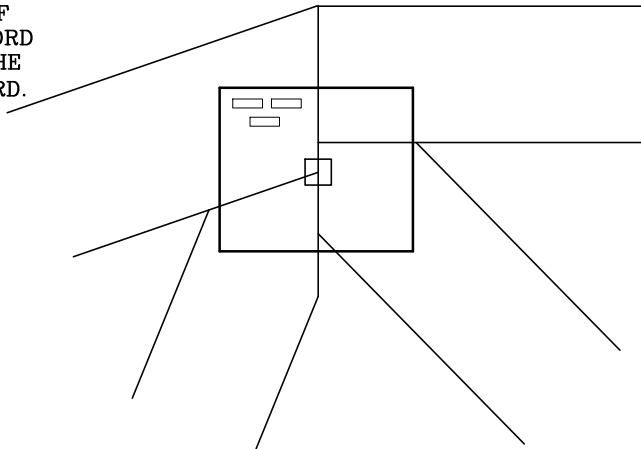
T6

CENTER PLATE VERTICALLY AT EQUAL DISTANCES BETWEEN INSIDE CHORD EDGES.



T7

CENTER PLATE VERTICALLY ON THE BOTTOM EDGE OF THE INNERMOST TOP CHORD OR THE TOP EDGE OF THE INNERMOST BOTTOM CHORD.



NOTES:  
 ALL PLATES ARE CENTERED VERTICALLY AS DESCRIBED IN THE INDIVIDUAL CELLS.  
 ALL PLATES ARE CENTERED HORIZONTALLY ON THE CHORD BREAK.  
 THE PLATE CENTER WILL BE SHIFTED PERPENDICULAR TO THE CHORD UPON WHICH THE PLATE IS ALIGNED.  
 □ LOCATES PLATE CENTER.

BREAK JOINT

160  
 T

T5 THROUGH T7

DATE 10/01/14