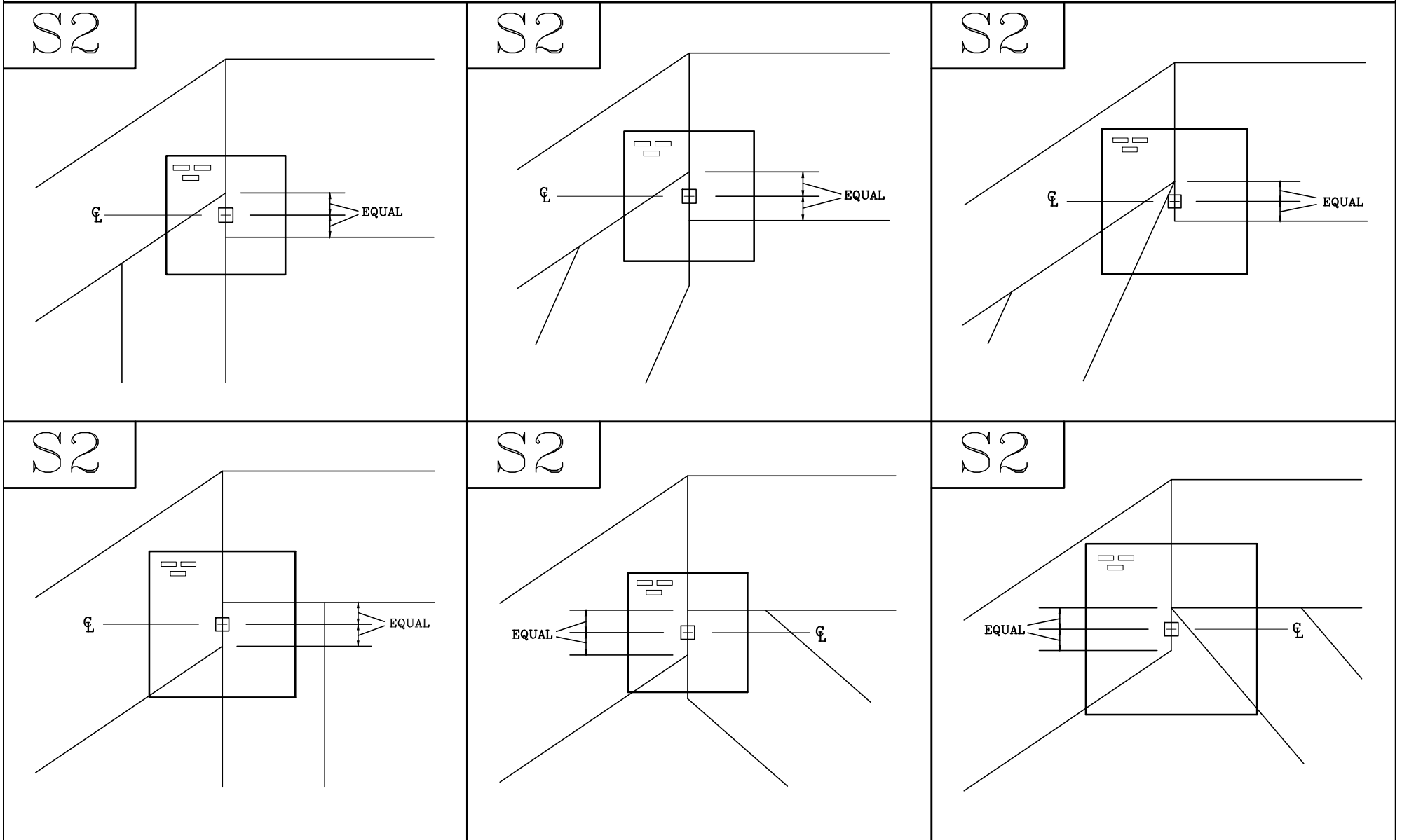


# BREAK JOINT PLATE LOCATION DETAILS



NOTES:  
 THE PLATE IS CENTERED ON THE CHORD BREAK AT EQUAL DISTANCES BETWEEN INSIDE CHORD EDGES.  
 THE PLATE WILL BE SHIFTED PERPENDICULAR TO THE CHORD UPON WHICH THE PLATE IS ALIGNED.  
 □ LOCATES PLATE CENTER.