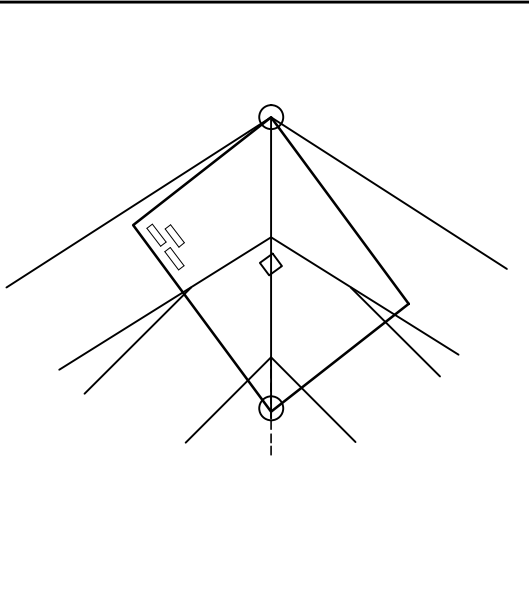
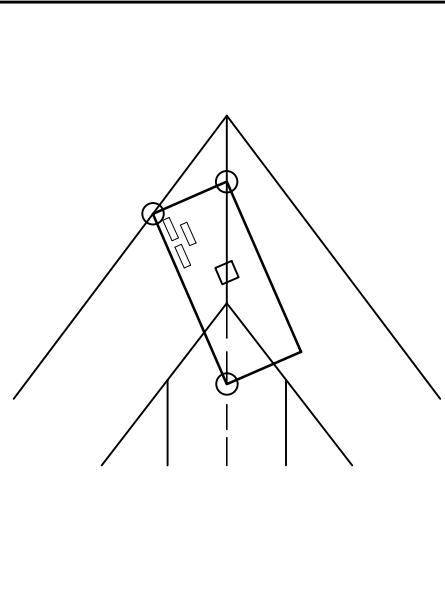
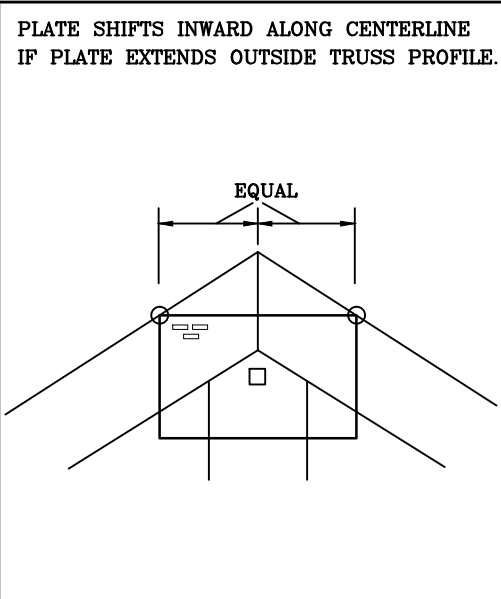
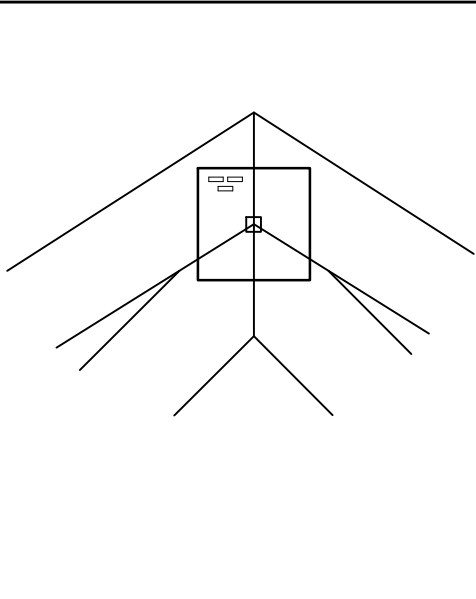
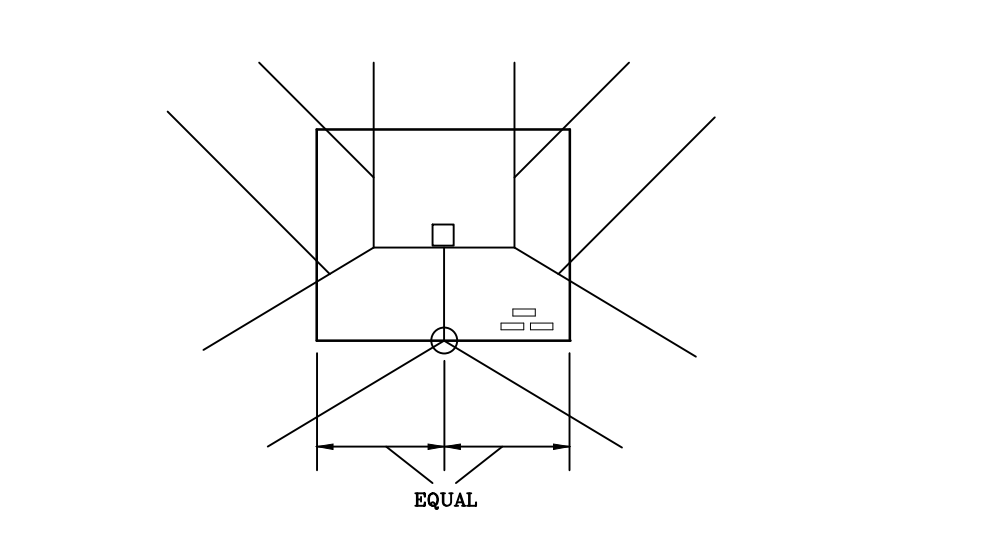
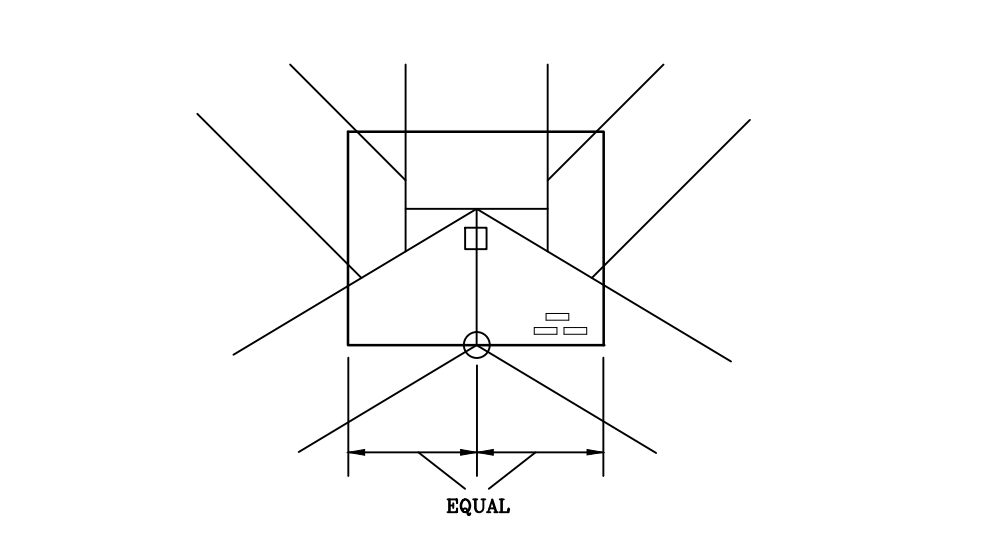


# PLATE LOCATIONS FOR TYPICAL PEAK JOINTS

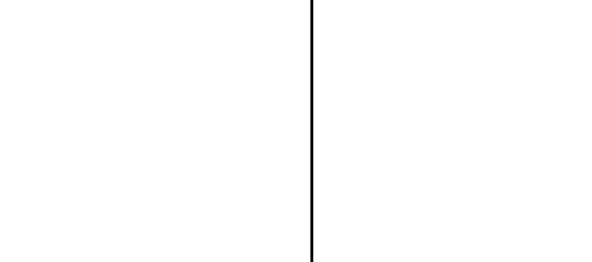


LOWER EDGE OF PLATE HELD FLUSH WITH BOTTOM OF BOTTOM CHORD PEAK.

LOWER EDGE OF PLATE HELD FLUSH WITH BOTTOM OF BOTTOM CHORD PEAK.



**NOTES:**  
 ○ LOCATES PLATE CORNER OR FLUSH EDGE.  
 □ LOCATES PLATE CENTER.



PEAK JOINTS
160
P
PAGE 1 OF 1
DATE 10/01/14