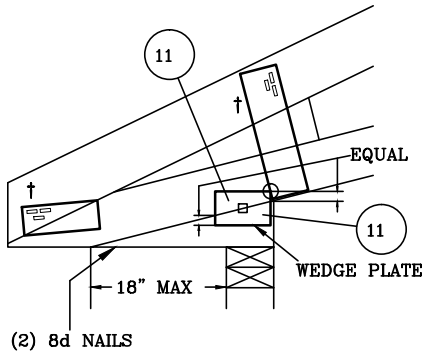


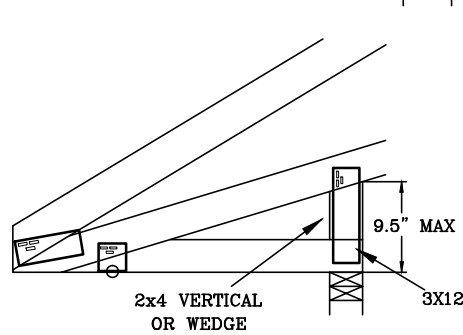
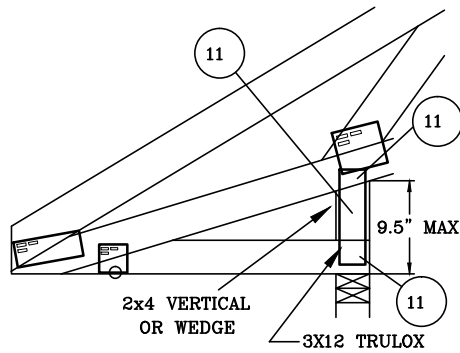
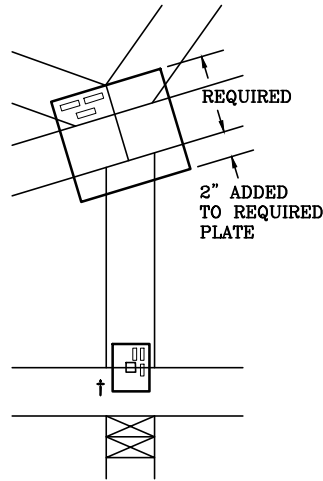
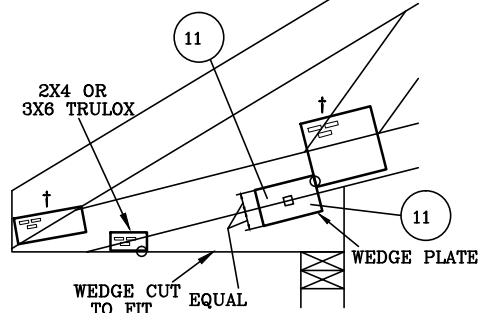
ALTERNATIVE FILLER PLATE LOCATION DETAILS

PLATE NUMBER	LUMBER SPECIES					
	SP	DFL	HF	SPF	SPF(S)	SPF MSR/MEL
WEDGE PLATE	3X4	3X5	3X6	3X6	4X5	3X4
	4X8 TRULOX	4X8 TRULOX	4X8 TRULOX	4X8 TRULOX	4X10 TRULOX	4X8 TRULOX

DURATION FACTOR	MAXIMUM REACTIONS				
	1.00	1.15	1.25	1.33	1.60
0 TO 6/12 BOTTOM CHORD PITCH	3000#	3450#	3750#	4000#	4800#
6 TO 12/12 BOTTOM CHORD PITCH	2475#	2850#	3100#	3300#	4000#
MAXIMUM UPLIFT	1620#	1860#	2025#	2150#	2590#



(2) 8d NAILS



ALTERNATIVE FOR OVERLAPPING PLATES ON SEALED DESIGN

PLATE SIZE AS REQUIRED ON SEALED DESIGN. PLATE SLOTS PERPENDICULAR TO BOTTOM CHORD.

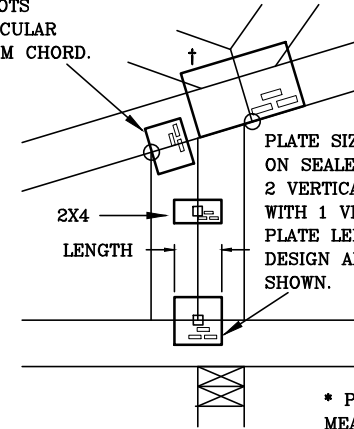
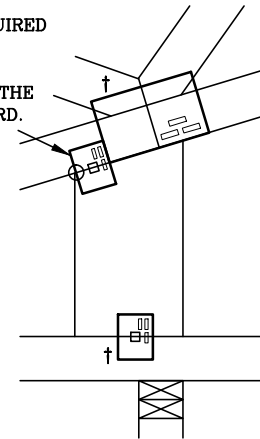


PLATE SIZE AS REQUIRED ON SEALED DESIGN WITH 2 VERTICALS. FOR DESIGNS WITH 1 VERTICAL, DOUBLE PLATE LENGTH* ON SEALED DESIGN AND CENTER AS SHOWN.

* PLATE LENGTH IS MEASURED PARALLEL TO SLOTS.

PLATE SIZE AS REQUIRED ON SEALED DESIGN. PLATE SLOTS ARE PERPENDICULAR TO THE TRUSS BOTTOM CHORD.



NOTES:

- † PLATE SIZE AS REQUIRED ON SEALED DESIGN.
- LOCATES PLATE CORNER OR FLUSH EDGE.
- LOCATES PLATE CENTER.
- CIRCLED NUMBERS INDICATE THE REQUIRED NUMBER OF 0.120" X 1.375" TRULOX NAILS, OR EQUAL, PER FACE.



13389 Lakefront Drive
Earth City, MO 63045

ALTERNATIVE FILLER PLATING

160 L

PAGE 1 OF 1

DATE 10/01/14