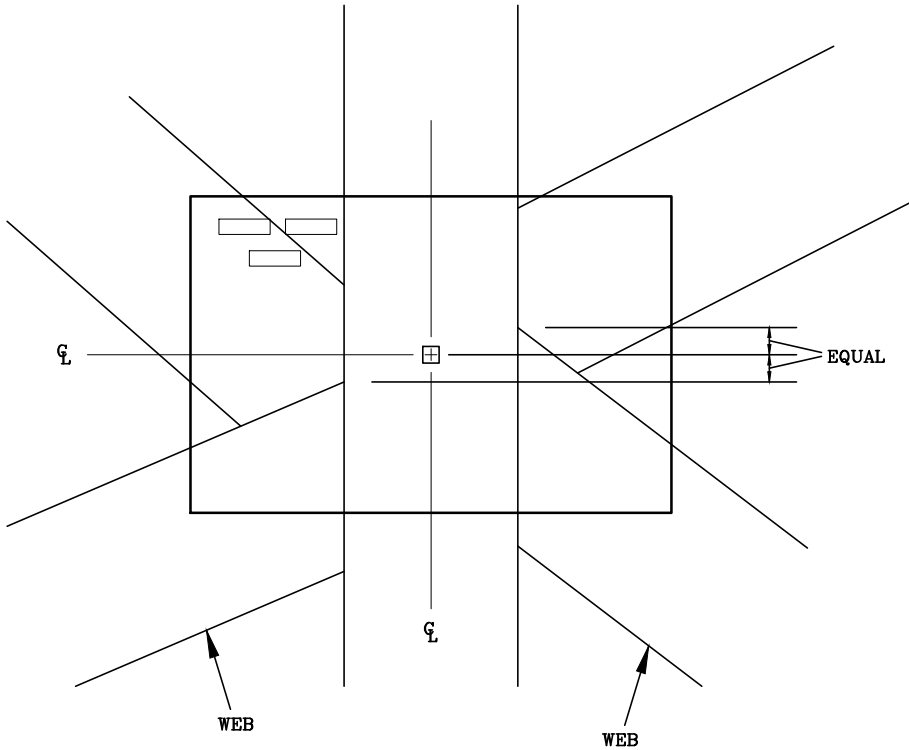
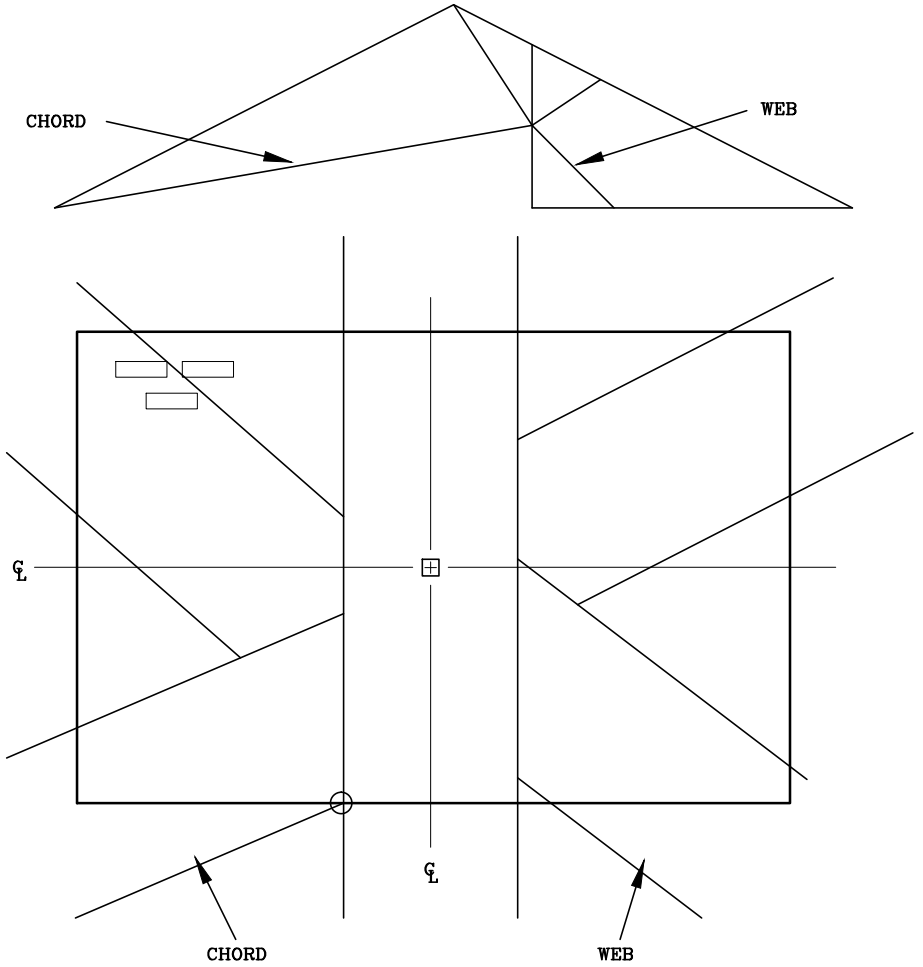


K-WEB JOINT PLATE LOCATION DETAILS

PLATE IS NOT SHIFTED.



WHEN PLATE IS CENTERED AS SHOWN AT LEFT AND EXTENDS BELOW THE CHORD, PLATE IS SHIFTED UPWARD TO REMAIN WITHIN TRUSS PROFILE SHOWN BELOW.



13389 Lakefront Drive
Earth City, MO 63045

NOTES:
ALL PLATES ARE CENTERED VERTICALLY AS DESCRIBED IN THE INDIVIDUAL CELLS.
ALL PLATES ARE CENTERED HORIZONTALLY ON THE CENTERLINE OF THE VERTICAL WEB.
THE PLATE CENTER WILL BE SHIFTED ALONG THE VERTICAL WEB CENTERLINE SO THAT THE ENTIRE PLATE IS WITHIN THE TRUSS PROFILE.
○ LOCATES PLATE CORNER OF FLUSH EDGE.
□ LOCATES PLATE CENTER.

K-WEB JOINTS

160
K

PAGE 1 OF 1

DATE 10/01/14