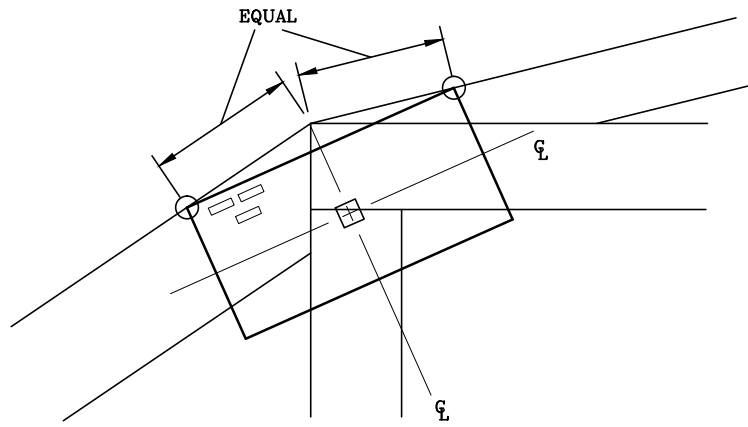
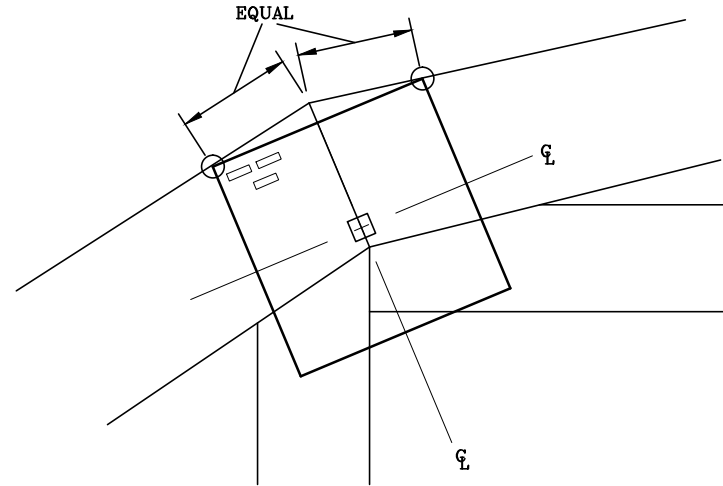


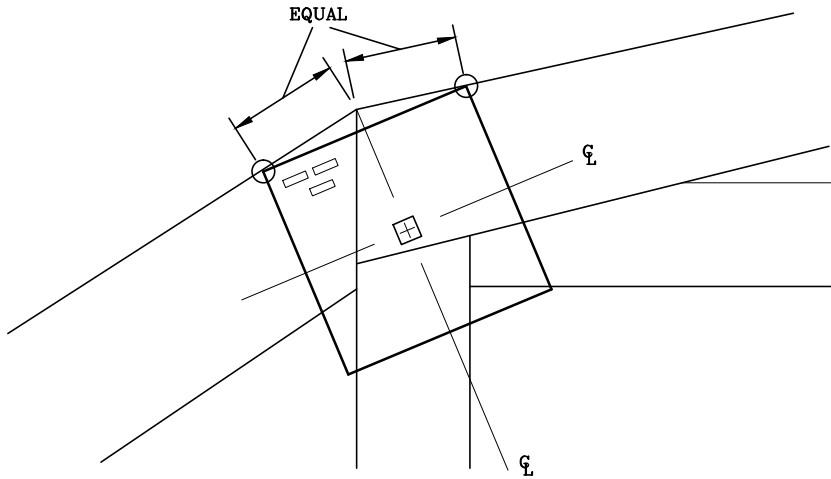
GAMBREL BREAK JOINT PLATE LOCATION DETAILS



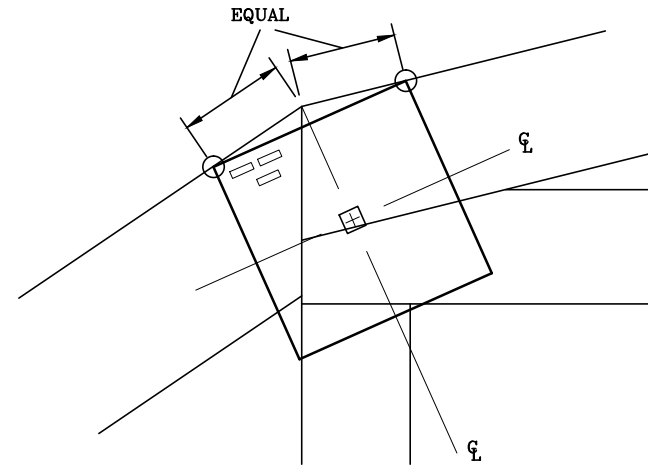
PLUMB/STANDARD JOINT



MITRE JOINT



PLUMB/STANDARD JOINT



PLUMB/STANDARD JOINT



13389 Lakefront Drive
Earth City, MO 63045

NOTES:
 PLATE CENTERED ALONG THE BISECTOR OF THE ANGLE BETWEEN THE OUTER EDGES OF THE CHORDS.
 ○ LOCATES PLATE CORNER OR FLUSH EDGE.
 □ LOCATES PLATE CENTER.

GAMBREL BREAK JOINT

160
J

PAGE 2 OF 2

DATE 10/01/14