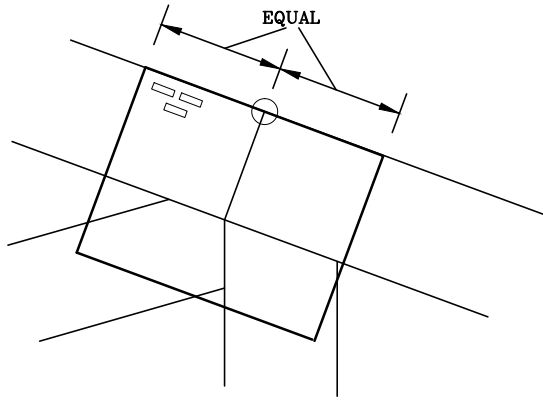
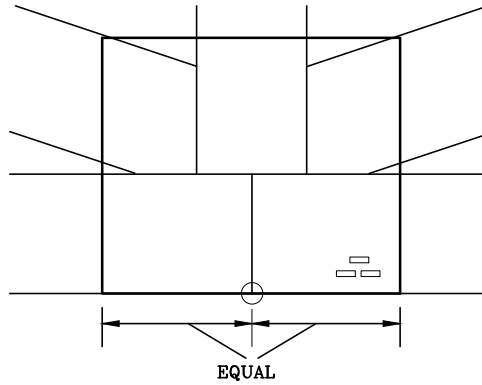


# PLATE LOCATION ON SPLICE JOINTS

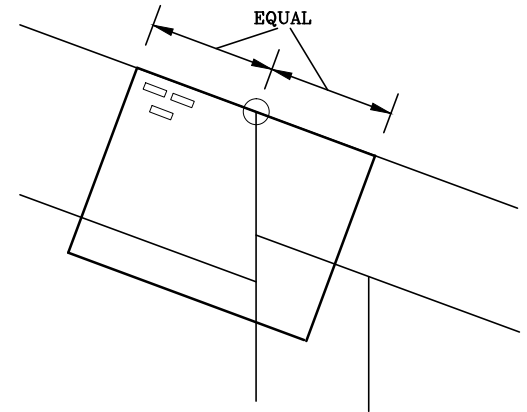
TOP EDGE OF SPLICE PLATE HELD FLUSH WITH TOP EDGE OF TOP CHORD.



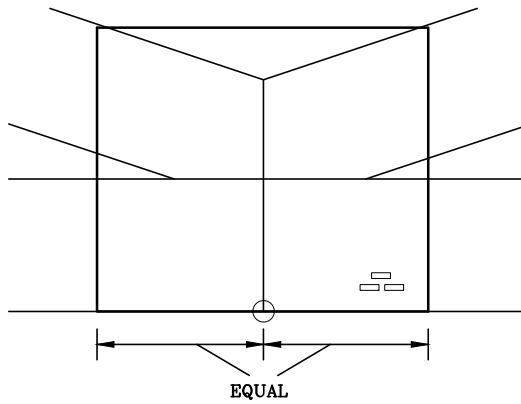
BOTTOM EDGE OF SPLICE PLATE HELD FLUSH WITH BOTTOM EDGE OF BOTTOM CHORD.



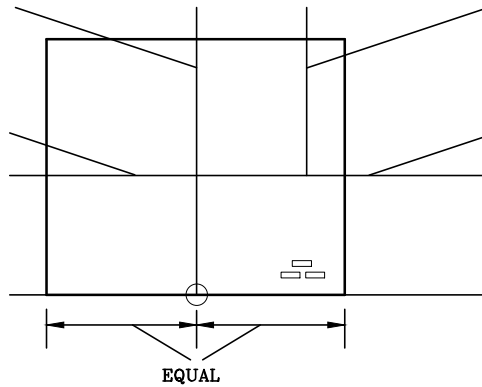
TOP EDGE OF SPLICE PLATE HELD FLUSH WITH TOP EDGE OF TOP CHORD.



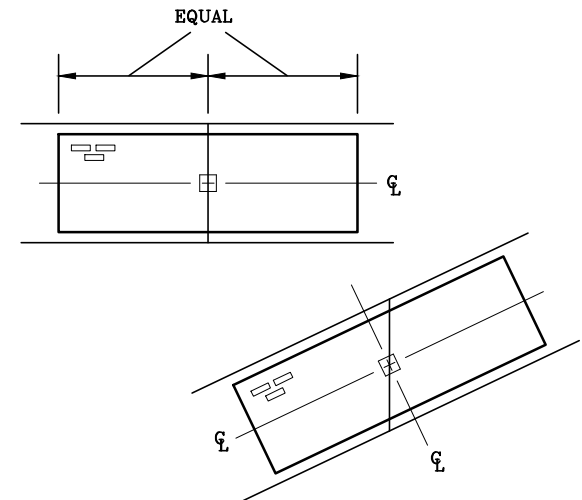
BOTTOM EDGE OF SPLICE PLATE HELD FLUSH WITH BOTTOM EDGE OF BOTTOM CHORD.



BOTTOM EDGE OF SPLICE PLATE HELD FLUSH WITH BOTTOM EDGE OF BOTTOM CHORD.



CHORD SPLICES WITH NO WEBS



**NOTES:**

- LOCATES PLATE CORNER OR FLUSH EDGE.
- LOCATES PLATE CENTER.



13389 Lakefront Drive  
Earth City, MO 63045

TYPICAL LOCATIONS

160  
I

PAGE 2 OF 2

DATE 10/01/14