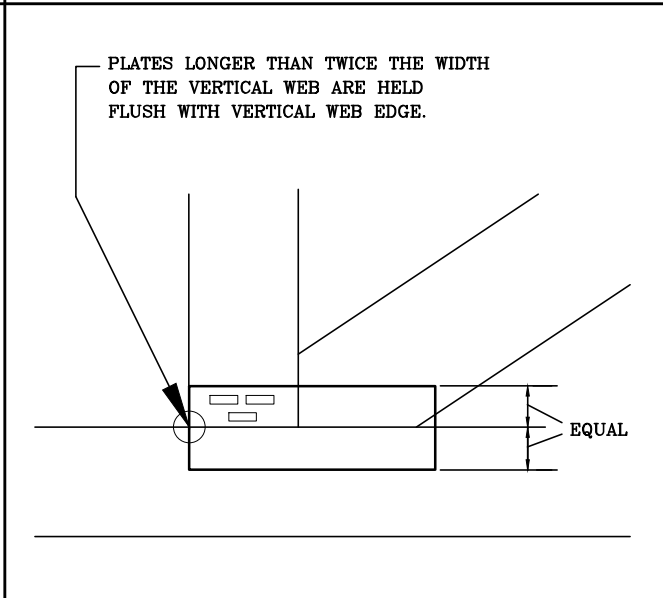
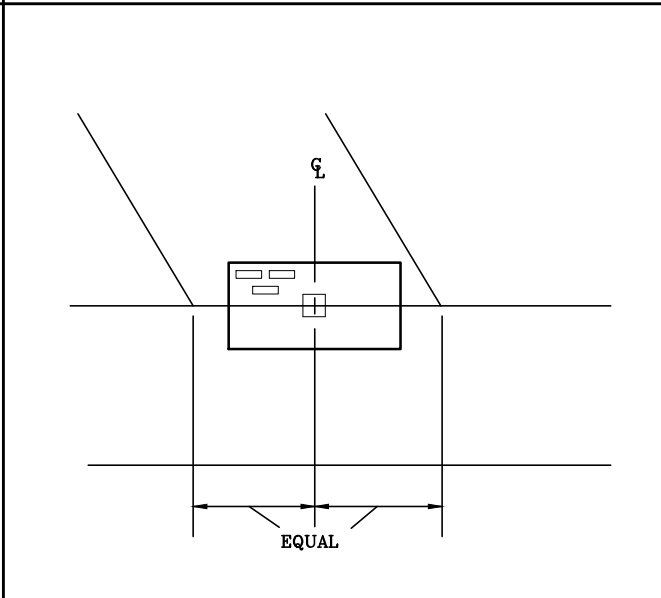
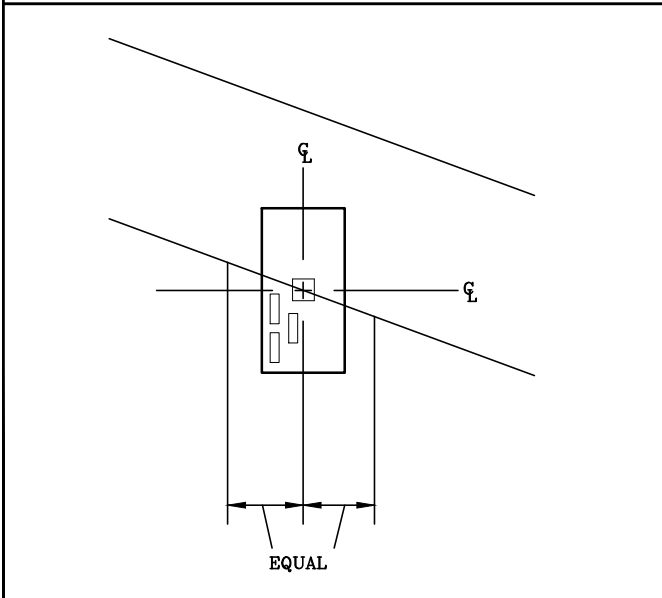
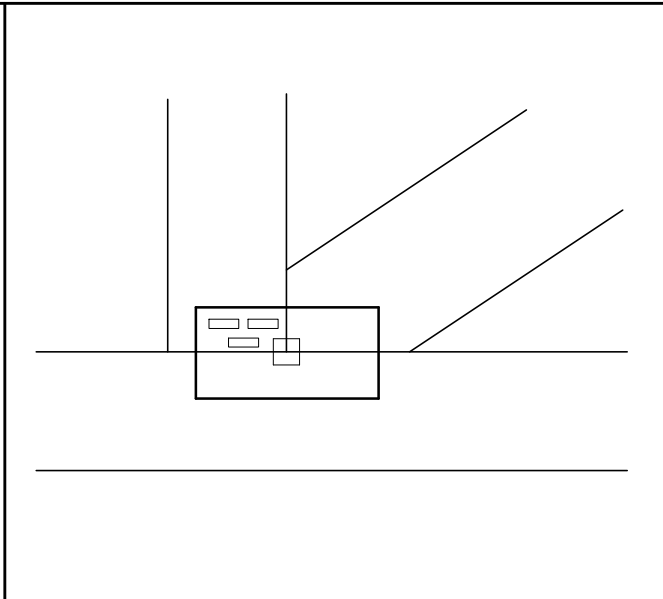
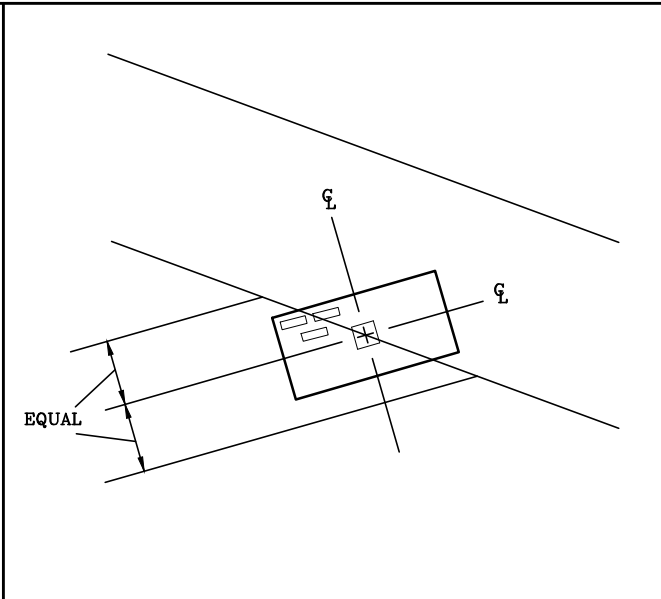
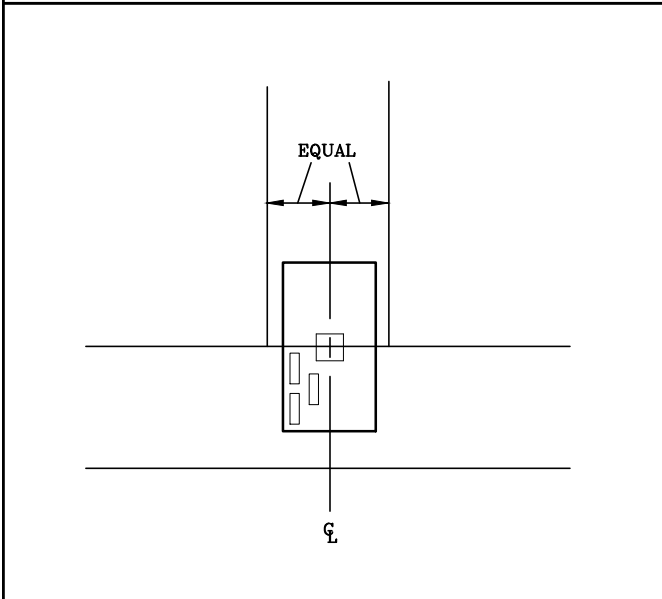


# PLATE LOCATION ON WEB JOINTS



NOTES:  
 ○ LOCATES PLATE CORNER OR FLUSH EDGE.  
 □ LOCATES PLATE CENTER.

TYPICAL LOCATIONS

160  
H

PAGE 1 OF 4  
DATE 10/01/14