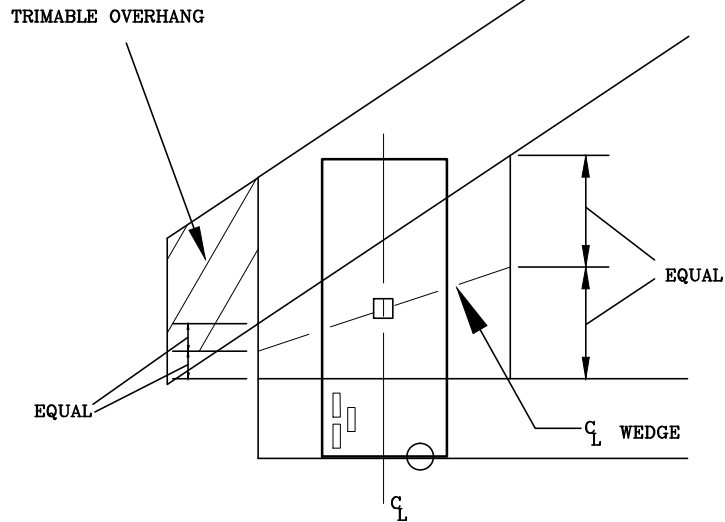
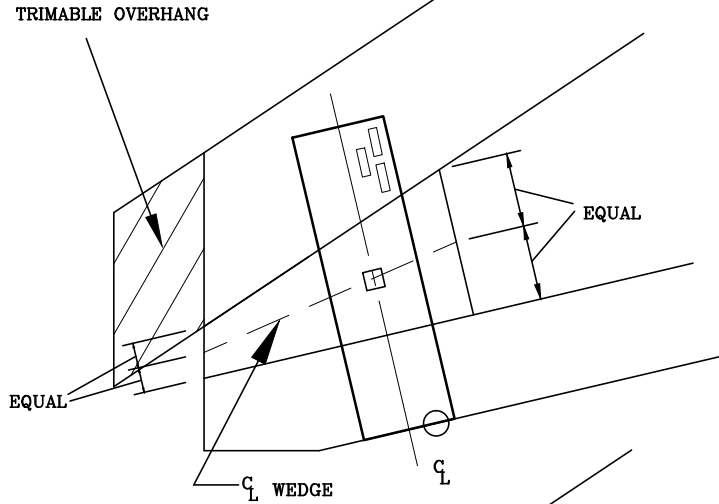


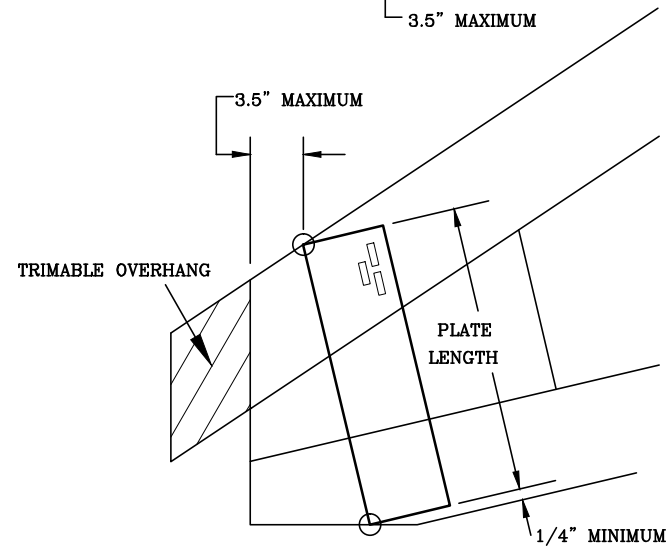
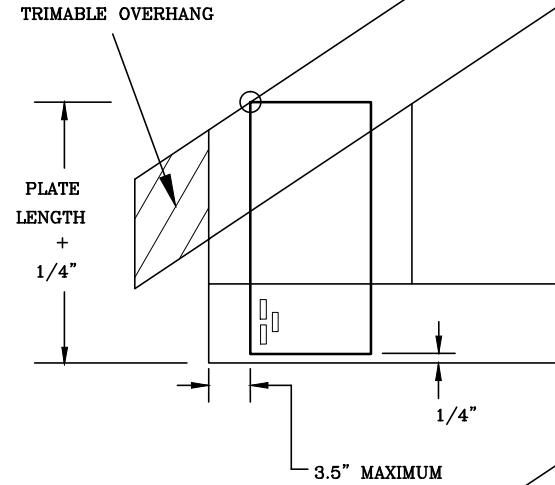
STUBBED WEDGE PLATE LOCATION DETAILS

G5T



G7T

PLATE NOT HELD AT BOTTOM CHORD
WITH 1/4" BOTTOM CHORD EDGE DISTANCE.



NOTES:
 PLATE CENTERED VERTICALLY ON WEDGE CENTERLINE.
 PLATE SHIFTED INWARDS ALONG WEDGE CENTERLINE. PLATE CENTERLINE MAY NOT SHIFT MORE THAN 6" FROM OUTER EDGE OF WEDGE MEASURED ALONG TOP OF BOTTOM CHORD.
 PLATE SHIFTED INWARDS PARALLEL TO THE BOTTOM CHORD. PLATE MAY NOT SHIFT MORE THAN 3.5" FROM OUTER EDGE OF WEDGE.
 PLATE SLOTS PERPENDICULAR TO BOTTOM CHORD.
 ○ LOCATES PLATE CORNER OR FLUSH EDGE.
 □ LOCATES PLATE CENTER.

STUBBED WEDGE

160
GT

G5T THROUGH G7T

DATE 10/01/14