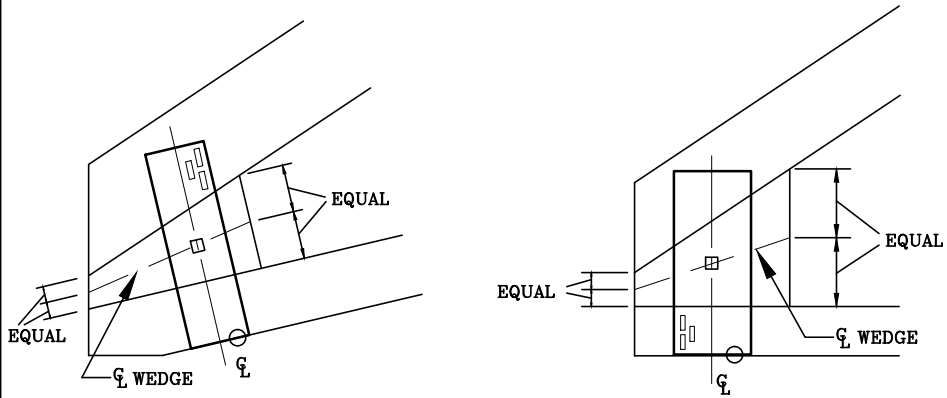
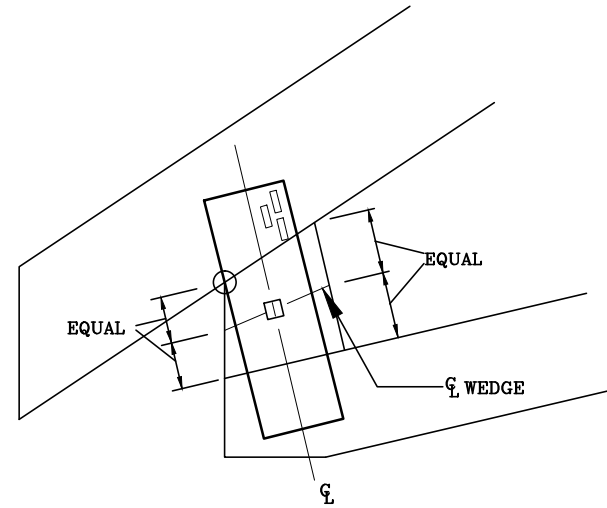


STUBBED WEDGE PLATE LOCATION DETAILS

G5



G6



G7

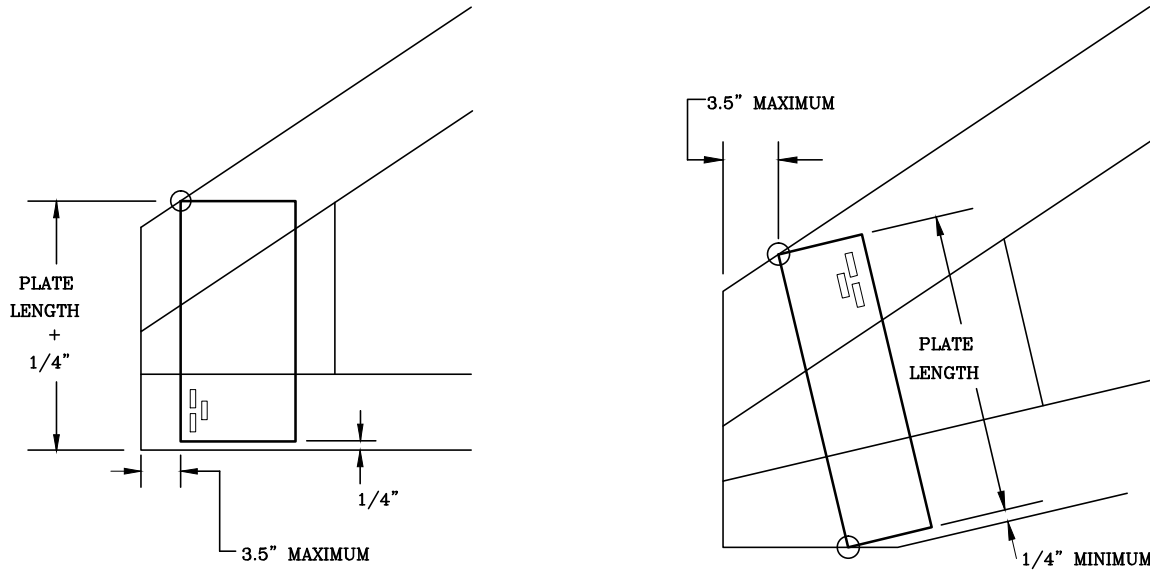


PLATE NOT HELD AT BOTTOM CHORD
WITH 1/4" BOTTOM CHORD EDGE DISTANCE.



13389 Lakefront Drive
Earth City, MO 63045

NOTES:
 PLATE CENTERED VERTICALLY ON WEDGE CENTERLINE.
 PLATE SHIFTED INWARDS ALONG WEDGE CENTERLINE. PLATE CENTERLINE MAY NOT SHIFT MORE THAN 6" FROM OUTER EDGE OF WEDGE MEASURED ALONG TOP OF BOTTOM CHORD.
 PLATE SHIFTED INWARDS PARALLEL TO THE BOTTOM CHORD. PLATE MAY NOT SHIFT MORE THAN 3.5" FROM OUTER EDGE OF WEDGE.
 PLATE SLOTS PERPENDICULAR TO BOTTOM CHORD.
 ○ LOCATES PLATE CORNER OR FLUSH EDGE.
 □ LOCATES PLATE CENTER.

STUBBED WEDGE

160
G

G5 THROUGH G7

DATE 10/01/14