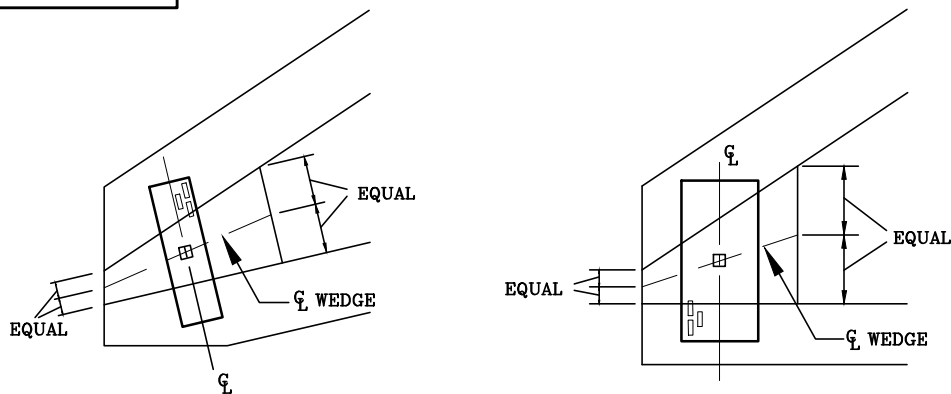
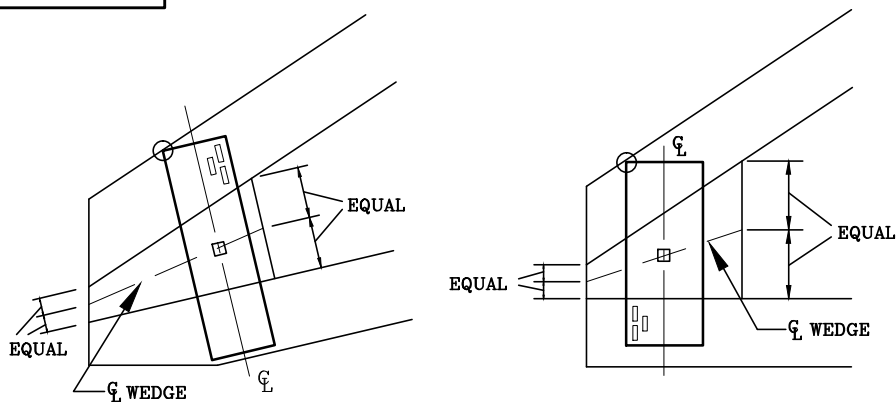


STUBBED WEDGE PLATE LOCATION DETAILS

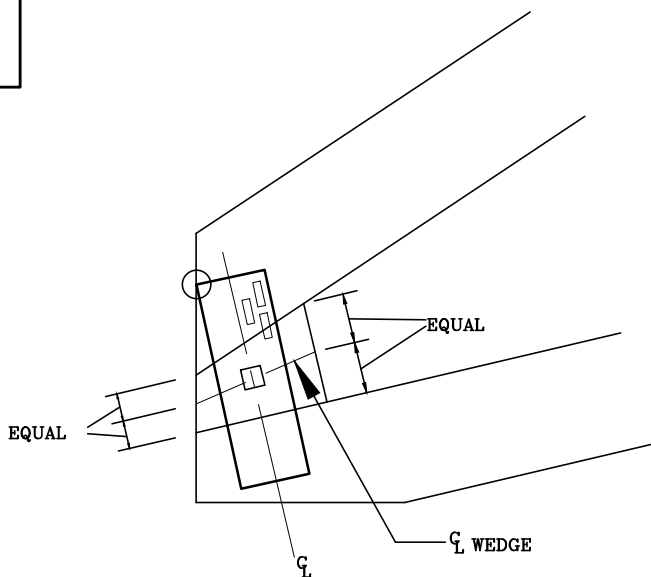
G1



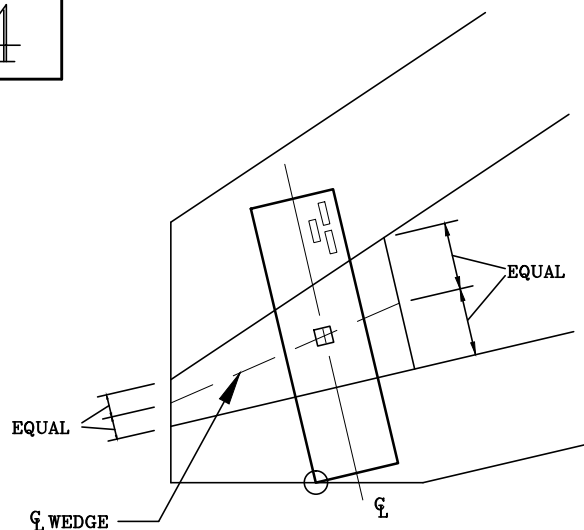
G2



G3



G4



13389 Lakefront Drive
Earth City, MO 63045

NOTES:
 PLATE CENTERED VERTICALLY ON WEDGE CENTERLINE.
 PLATE SHIFTED INWARDS ALONG WEDGE CENTERLINE. PLATE CENTERLINE MAY NOT SHIFT MORE THAN 6" FROM OUTER EDGE OF WEDGE MEASURED ALONG TOP OF BOTTOM CHORD.
 PLATE SLOTS PERPENDICULAR TO BOTTOM CHORD.
 ○ LOCATES PLATE CORNER OR FLUSH EDGE.
 □ LOCATES PLATE CENTER.

STUBBED WEDGE

160
G

G1 THROUGH G4

DATE 10/01/14