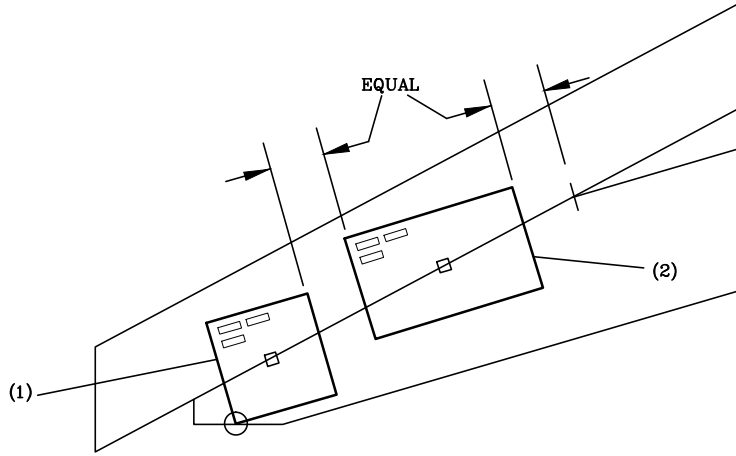


HEEL JOINT PLATE LOCATION DETAILS

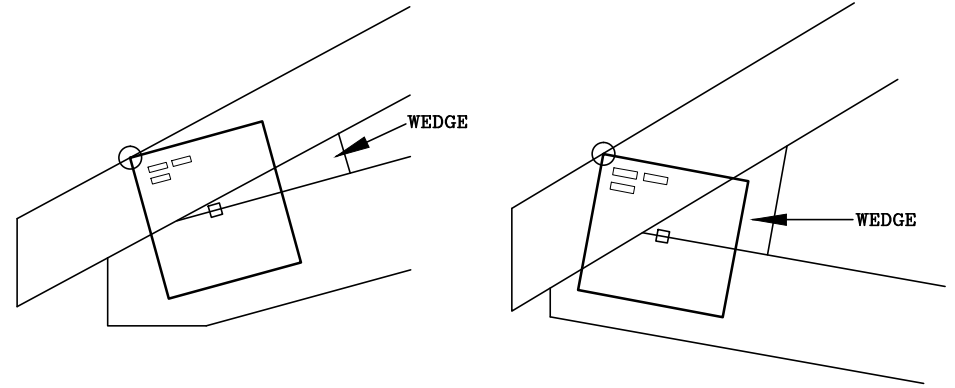
F9

- (1) SEE NOTE 1 (B) SHOWN BELOW.
- (2) PLATE CENTERED VERTICALLY ON SCARF AND EQUALLY SPACED AS SHOWN.



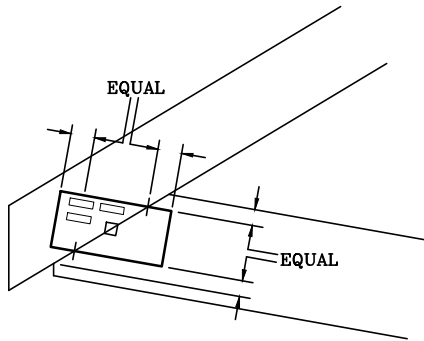
F10

- PLATE CENTERED VERTICALLY ON TOP EDGE OF BOTTOM CHORD.
- PLATE CORNER HELD AT TOP EDGE OF TOP CHORD.



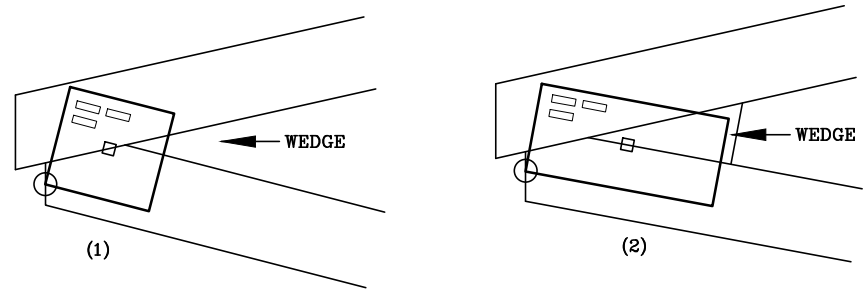
F11

PLATE CENTERED ON SCARF.



F12

- PLATE CORNER HELD AT END OF BOTTOM CHORD:
- (1) PLATE CENTERED VERTICALLY ON SCARF.
- (2) PLATE CENTERED VERTICALLY ON TOP EDGE OF BOTTOM CHORD.



13389 Lakefront Drive
Earth City, MO 63045

NOTES:
ALL PLATES ARE PARALLEL WITH BOTTOM CHORD UNLESS NOTED.
WEDGE/SLIDER MAY BE REQUIRED AS SPECIFIED ON SEALED DESIGN.
○ LOCATES PLATE CORNER OR FLUSH EDGE.
□ LOCATES PLATE CENTER.

NON-STD SCISSOR HEEL

160
F

F9 THROUGH F12

DATE 10/01/14